



# **REPLACEMENT PARTS CATALOGUE**

**FOR 1971**

**BONNEVILLE T120R  
TIGER 650 TR6R  
TROPHY 650 TR6C**

**PART NO. 99-0932**





# **REPLACEMENT PARTS CATALOGUE**

**FOR 1971**

**BONNEVILLE T120R  
TIGER 650 TR6R  
TROPHY 650 TR6C**

**TRIUMPH ENGINEERING COMPANY LIMITED  
MERIDEN WORKS · ALLESLEY · COVENTRY CV5 9AU · ENGLAND**

**TELEPHONE COVENTRY 20221  
MERIDEN 331**

**TELEGRAMS "TRUSTY" COVENTRY  
TELEX "TRUSTY" 31305**

# INTRODUCTION

The Triumph Engineering Co. Ltd. point out that the information in this catalog was complete and correct at the time of printing. Distributors will be informed of any subsequent alterations.

A plastic binder, of the type used for Workshop Manuals, is available to enable this catalog and all other 1971 season catalogs to be bound into one unit.

## GUARANTEE

Please refer to your dealer or distributor for the latest terms of guarantee.

### Eastern U.S.A. Distributor:

Triumph Motorcycle Corporation,  
P.O. Box 6790,  
Towson,  
Baltimore 4,  
Maryland 21204.

Telex—Tricor Balt. 87728  
Telephone—301-252-1700

### Western U.S.A. Distributor:

Triumph Motorcycle Corporation,  
P.O. Box 2765,  
East Huntington Drive,  
Duarte,  
California 91010.

Telex—Tricor Duarte 675469  
Telephone—213-359-3221  
213-681-0255

## ENGINE AND FRAME NUMBERS

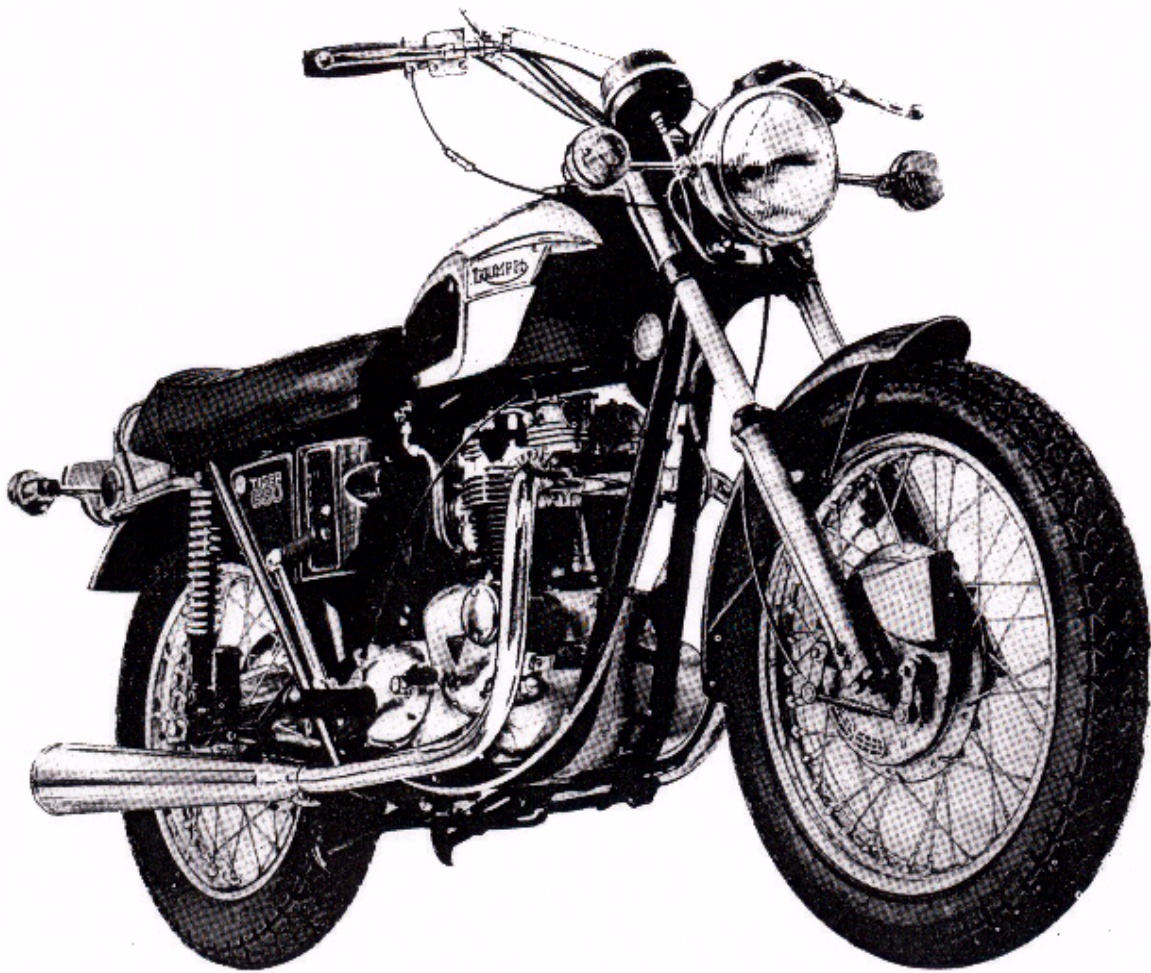
The engine number is located on the left side of the engine, immediately below the cylinder barrel to crankcase flange.

The frame number is located on the left side of the frame headlug, beneath the fork top lug and forward of the gasoline tank.

Both the engine and frame number should be quoted in full in any correspondence relating to the machine.

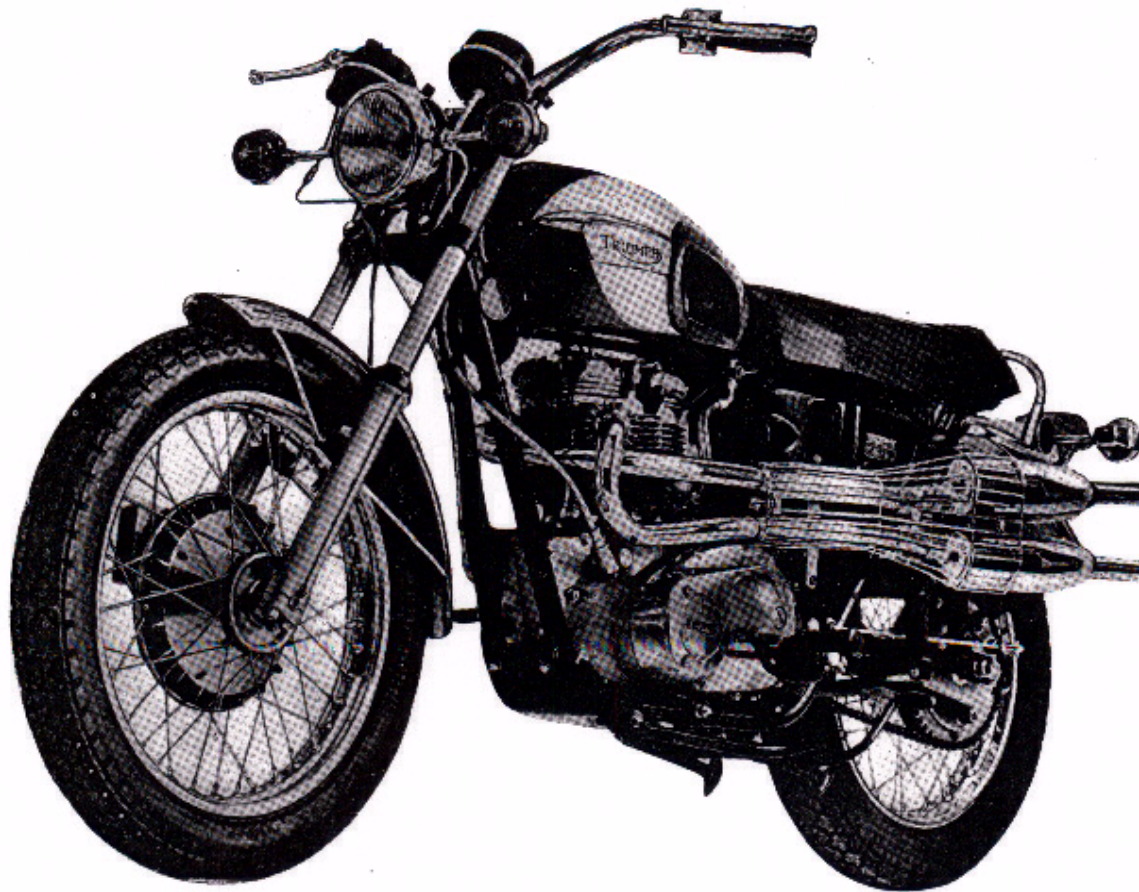
# INDEX

|                              | <i>Page</i>    |                                   | <i>Page</i>    |
|------------------------------|----------------|-----------------------------------|----------------|
| AIR CLEANER ... ..           | 65             | KICKSTARTER ... ..                | 37             |
| ALTERNATOR ... ..            | 11, 41         | MANIFOLD ... ..                   | 17             |
| AUTO-ADVANCE UNIT ... ..     | 31             | MOTOR PLATES ... ..               | 47             |
| BATTERY CARRIER ... ..       | 81             | MOTOR TORQUE STAY ... ..          | 47             |
| BRAKE SWITCHES ... ..        | 45             | MUFFLERS ... ..                   | 49, 51         |
| BREATHING PIPES ... ..       | 43             | OIL PUMP ... ..                   | 17             |
| CAMSHAFT, INLET AND EXHAUST  | 11             | OIL PIPES ... ..                  | 43             |
| CARBURETOR ... ..            | 27, 29         | OIL PRESSURE RELEASE VALVE ... .. | 17             |
| CARTON PACKS ... ..          | 7              | PISTONS ... ..                    | 11             |
| CENTRE STAND ... ..          | 43             | PROP STAND ... ..                 | 43             |
| CHAINS ... ..                | 41             | PUSH RODS ... ..                  | 19, 21, 23, 25 |
| CHAINCASE ... ..             | 41             | REAR WHEEL ... ..                 | 61             |
| CLUTCH ... ..                | 39             | RECTIFIER ... ..                  | 77             |
| CLUTCH LEVER ASSEMBLY ... .. | 37             | ROCKERS ... ..                    | 19, 21, 23, 25 |
| COIL ... ..                  | 77             | SIDE PANEL ... ..                 | 65             |
| CONDENSER PACK ... ..        | 77             | SPARK PLUG ... ..                 | 77             |
| CONNECTING RODS ... ..       | 11             | SPEEDOMETER ... ..                | 75             |
| CONTACT BREAKER ... ..       | 31             | SPEEDOMETER GEARBOX ... ..        | 61             |
| CONTROL CABLES ... ..        | 71             | STEERING DAMPER ... ..            | 57             |
| CONTROL LEVERS ... ..        | 69             | SUSPENSION UNITS ... ..           | 45             |
| CRANKCASE ... ..             | 13, 15         | SWINGING FORK ... ..              | 45             |
| CRANKCASE UNDERSHIELD ... .. | 51             | SWITCHES ... ..                   | 69, 79         |
| CRANKSHAFT ... ..            | 11             | TABLE OF STANDARD HARDWARE        | 82             |
| CYLINDERS ... ..             | 19, 21, 23, 25 | TACHOMETER ... ..                 | 75             |
| CYLINDER HEAD ... ..         | 19, 21, 23, 25 | TACHOMETER GEARBOX ... ..         | 75             |
| EXHAUST PIPES ... ..         | 49, 51         | TAIL LAMP ... ..                  | 67             |
| EXHAUST PIPE ADAPTOR ... ..  | 19, 21, 23, 25 | TAPPETS ... ..                    | 17             |
| FENDERS ... ..               | 67             | TIMING GEARS ... ..               | 11             |
| FIVE SPEED GEARBOX ... ..    | 84             | TOOLKIT ... ..                    | 73             |
| FLASHERS ... ..              | 77, 79         | TWIN SEAT ... ..                  | 63             |
| FOOTRESTS ... ..             | 47, 51         | VALVES ... ..                     | 19, 21, 23, 25 |
| FRAME ... ..                 | 43             | VALVE GUIDES ... ..               | 19, 21, 23, 25 |
| FRONT FORKS ... ..           | 53, 55         | WIRING HARNESS ... ..             | 79             |
| FRONT WHEEL ... ..           | 59             | ZENER DIODE ... ..                | 77             |
| FUSE ASSEMBLY ... ..         | 57             |                                   |                |
| GAS TANK ... ..              | 63             |                                   |                |
| GEARBOX ... ..               | 33, 35, 37     |                                   |                |
| HANDLEBAR ... ..             | 69             |                                   |                |
| HANDLEBAR MOUNTINGS ... ..   | 57             |                                   |                |
| HEADLAMP ... ..              | 79, 81         |                                   |                |
| HORN ... ..                  | 77             |                                   |                |



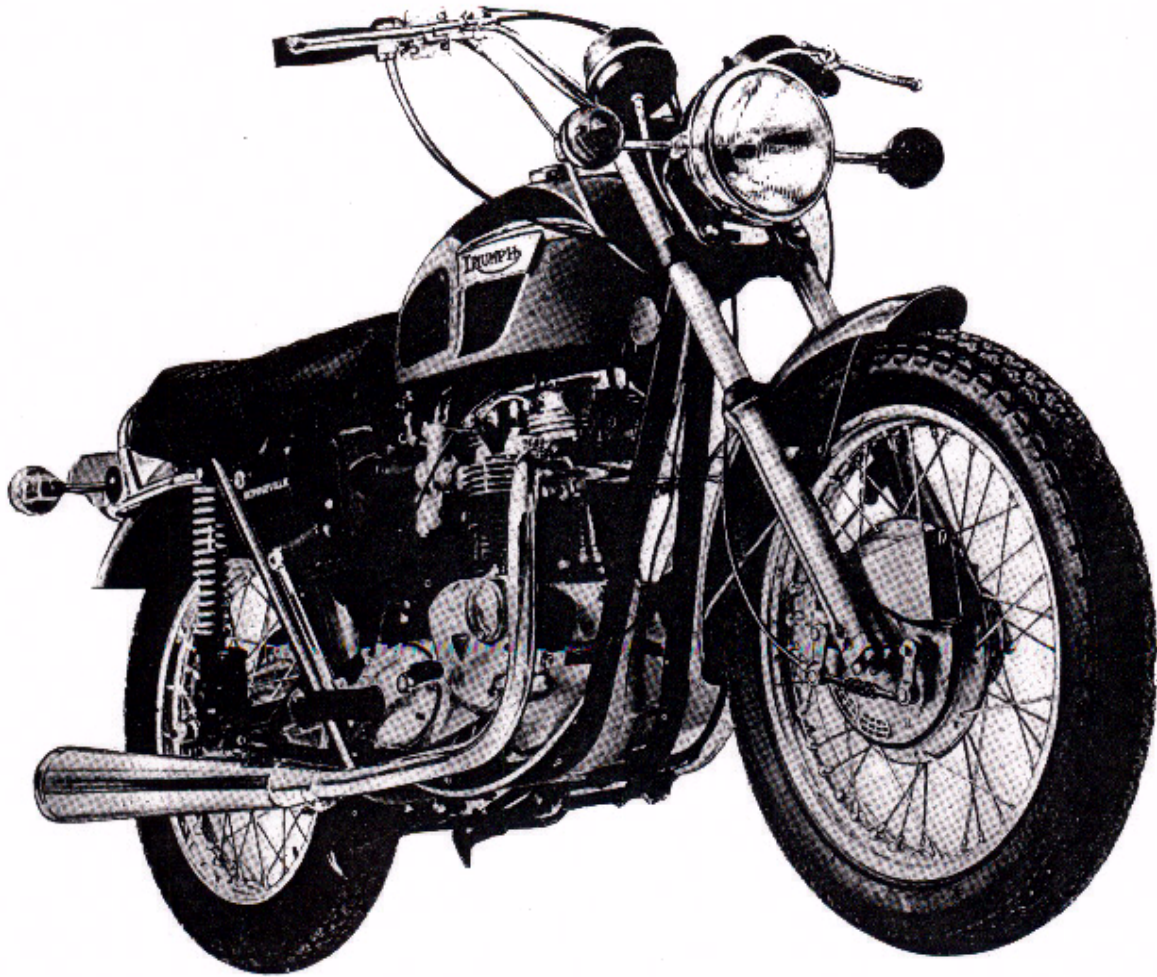
### TIGER 650 (TR6R) TECHNICAL DATA

|                    |     |     |                        |     |     |     |     |     |                                 |
|--------------------|-----|-----|------------------------|-----|-----|-----|-----|-----|---------------------------------|
| Bore and stroke... | ... | ... | ...                    | ... | ... | ... | ... | ... | 71 x 82 mm.<br>2.79 x 3.23 ins. |
| Capacity ...       | ... | ... | ...                    | ... | ... | ... | ... | ... | 649 c.c. (40 cu. ins.)          |
| Compression ratio  | ... | ... | ...                    | ... | ... | ... | ... | ... | 9 : 1                           |
| Spark plugs        | ... | ... | ...                    | ... | ... | ... | ... | ... | Champion N3                     |
| Carburetor         | ... | ... | ...                    | ... | ... | ... | ... | ... | Amal Concentric 930             |
|                    |     |     | Main jet               | ... | ... | ... | ... | ... | 230                             |
|                    |     |     | Needle jet             | ... | ... | ... | ... | ... | .106                            |
|                    |     |     | Throttle valve         | ... | ... | ... | ... | ... | No. 3½                          |
| Gearbox sprocket   | ... | ... | ...                    | ... | ... | ... | ... | ... | 19 teeth                        |
| Chains             | ... | ... | Front                  | ... | ... | ... | ... | ... | ¾" Duplex x 84 links            |
|                    |     |     | Rear                   | ... | ... | ... | ... | ... | ¾" x ¾" x 106 links             |
| Capacities         | ... | ... | Gas Tank               | ... | ... | ... | ... | ... | 3.6 U.S. galls.                 |
|                    |     |     | Oil Tank               | ... | ... | ... | ... | ... | 4.8 U.S. pints                  |
|                    |     |     | Gearbox                | ... | ... | ... | ... | ... | ¾ pint (500 c.c.)               |
|                    |     |     | Primary Chaincase      | ... | ... | ... | ... | ... | ¼ pint (150 c.c.)               |
|                    |     |     | Front Forks (each leg) | ... | ... | ... | ... | ... | ⅓ pint (190 c.c.)               |
| Brakes             | ... | ... | Front, diameter...     | ... | ... | ... | ... | ... | 8" (20.32 cm.)                  |
|                    |     |     | Rear, diameter         | ... | ... | ... | ... | ... | 7" (17.78 cm.)                  |
| Tire size          | ... | ... | Front                  | ... | ... | ... | ... | ... | 3.25 x 19                       |
|                    |     |     | Rear                   | ... | ... | ... | ... | ... | 4.00 x 18                       |



### TROPHY 650 (TR6C) TECHNICAL DATA

|                           |     |     |     |     |     |     |     |     |     |   |
|---------------------------|-----|-----|-----|-----|-----|-----|-----|-----|-----|---|
| <b>Bore and stroke...</b> | ... | ... | ... | ... | ... | ... | ... | ... | ... | 71 x 82. mm.<br>2.79 x 3.23 ins.                |
| <b>Capacity</b>           | ... | ... | ... | ... | ... | ... | ... | ... | ... | 649 c.c. (40 cu. ins.)                          |
| <b>Compression ratio</b>  | ... | ... | ... | ... | ... | ... | ... | ... | ... | 9 : 1   |
| <b>Spark plugs</b>        | ... | ... | ... | ... | ... | ... | ... | ... | ... | Champion N3                                     |
| <b>Carburetor</b>         | ... | ... | ... | ... | ... | ... | ... | ... | ... | Amal Concentric 930                             |
|                           |     |     |     |     |     |     |     |     |     | Main jet ... .. 230                             |
|                           |     |     |     |     |     |     |     |     |     | Needle jet ... .. -106                          |
|                           |     |     |     |     |     |     |     |     |     | Throttle valve ... .. No. 3½                    |
| <b>Gearbox sprocket</b>   | ... | ... | ... | ... | ... | ... | ... | ... | ... | 18 teeth  |
| <b>Chains</b>             | ... | ... | ... | ... | ... | ... | ... | ... | ... | Front ... .. ¾" Duplex x 84 links               |
|                           |     |     |     |     |     |     |     |     |     | Rear ... .. 5/8" x 3/8" x 106 links             |
| <b>Capacities</b>         | ... | ... | ... | ... | ... | ... | ... | ... | ... | Gas Tank ... .. 3.6 U.S. galls.                 |
|                           |     |     |     |     |     |     |     |     |     | Oil Tank ... .. 4.8 U.S. pints                  |
|                           |     |     |     |     |     |     |     |     |     | Gearbox ... .. 7/8 pint (500 c.c.)              |
|                           |     |     |     |     |     |     |     |     |     | Primary Chaincase ... .. ¼ pint (150 c.c.)      |
|                           |     |     |     |     |     |     |     |     |     | Front Forks (each leg) ... .. ½ pint (190 c.c.) |
| <b>Brakes</b>             | ... | ... | ... | ... | ... | ... | ... | ... | ... | Front, diameter... .. 8" (20.32 cm.)            |
|                           |     |     |     |     |     |     |     |     |     | Rear, diameter ... .. 7" (17.78 cm.)            |
| <b>Tire size</b>          | ... | ... | ... | ... | ... | ... | ... | ... | ... | Front ... .. 3.25 x 19                          |
|                           |     |     |     |     |     |     |     |     |     | Rear ... .. 4.00 x 18                           |



### BONNEVILLE (T120R) TECHNICAL DATA

|                          |     |     |     |     |     |     |     |     |   |
|--------------------------|-----|-----|-----|-----|-----|-----|-----|-----|---|
| <b>Bore and stroke</b>   | ... | ... | ... | ... | ... | ... | ... | ... | 71 x 82 mm.<br>2.79 x 3.23 ins.                             |
| <b>Capacity</b>          | ... | ... | ... | ... | ... | ... | ... | ... | 649 c.c. (40 cu. ins.)                                      |
| <b>Compression ratio</b> | ... | ... | ... | ... | ... | ... | ... | ... | 9 : 1   |
| <b>Spark plugs</b>       | ... | ... | ... | ... | ... | ... | ... | ... | Champion N3   |
| <b>Carburetors</b>       | ... | ... | ... | ... | ... | ... | ... | ... | 2 Amal Concentric 930                                       |
|                          |     |     |     |     |     |     |     |     | Main jet ... .. 190   |
|                          |     |     |     |     |     |     |     |     | Needle jet ... .. .106                                      |
|                          |     |     |     |     |     |     |     |     | Throttle valve ... .. No. 3                                 |
| <b>Gearbox sprocket</b>  | ... | ... | ... | ... | ... | ... | ... | ... | 19 teeth  |
| <b>Chains</b>            | ... | ... | ... | ... | ... | ... | ... | ... | Front ... .. Duplex x 84 links                              |
|                          |     |     |     |     |     |     |     |     | Rear ... .. $\frac{1}{8}$ " x $\frac{3}{8}$ " x 106 links   |
| <b>Capacities</b>        | ... | ... | ... | ... | ... | ... | ... | ... | Gas Tank ... .. 3.6 U.S. galls.                             |
|                          |     |     |     |     |     |     |     |     | Oil Tank ... .. 4.8 U.S. pints                              |
|                          |     |     |     |     |     |     |     |     | Gearbox ... .. $\frac{7}{16}$ pint (500 c.c.)               |
|                          |     |     |     |     |     |     |     |     | Primary Chaincase ... .. $\frac{1}{4}$ pint (150 c.c.)      |
|                          |     |     |     |     |     |     |     |     | Front Forks (each leg) ... .. $\frac{1}{2}$ pint (190 c.c.) |
| <b>Brakes</b>            | ... | ... | ... | ... | ... | ... | ... | ... | Front, diameter... .. 8" (20.32 cm.)                        |
|                          |     |     |     |     |     |     |     |     | Rear, diameter ... .. 7" (17.78 cm.)                        |
| <b>Tire size</b>         | ... | ... | ... | ... | ... | ... | ... | ... | Front ... .. 3.25 x 19                                      |
|                          |     |     |     |     |     |     |     |     | Rear ... .. 4.00 x 18                                       |



# HOW TO USE THIS SPARE PARTS CATALOG

First consult the Index on Page 3 for the parts or group of parts which you wish to locate. When you have located the parts make sure from the end columns that the part you have located does apply to your machine.

List the quantities required as single units; do not ask for "2 pairs" or "3 dozen".

In case of painted items always state the color required. Painted parts are available only in the colors or alternatives specified for that model of that particular year.

## CARTON PACK LIST

The following sub-assemblies are supplied in carton packs under the C.P. part number stated. The contents of these carton packs are preserved and will not deteriorate under adverse conditions.

| <i>Part No.</i>   | <i>Contents</i>                                 |
|---|---|
| <b>Brake Lining</b>   |   |
| C.P.38/A.M.2 ... .. 2 ... ..  | NW243 ... .. Brake lining                       |
| ... .. 16 ... ..  | W129 ... .. Rivet                               |
| C.P.205 ... .. 2 ... ..   | W1734 ... .. Brake lining                       |
| ... .. 16 ... ..  | W129 ... .. Rivet                               |
| <b>Pistons</b> (complete with rings, gudgeon pins and circlips)   |   |
| E6895 ... ..  | 7.5 : 1 C.R. ... .. For use with low grade fuel |
| E9488 ... ..  | 9 : 1 C.R. ... .. Standard                      |
| E6867 ... ..  | 11 : 1 C.R. ... .. Competition use only         |
| All the above pistons are available in oversizes of 0.010 ins., 0.020 ins., 0.040 ins., (0.25 mm., 0.5 mm., 1mm.) |   |
| <b>Valve Guides</b>   |   |
| C.P.97 ... .. 2 ... ..  | E2899 ... .. Inlet guide                        |
| (TR6) ... .. 2 ... ..   | E2900 ... .. Exhaust guide                      |

## PLEASE NOTE

THROUGHOUT THIS LIST, ASSEMBLIES ARE PRINTED IN CAPITALS AND THE COMPONENTS INCLUDED IN THAT ASSEMBLY ARE INDENTED IN THE DESCRIPTION COLUMN, REVERTING TO THE ORIGINAL ALIGNMENT WHEN THE ASSEMBLY IS COMPLETE. TO ORDER THE COMPLETE ASSEMBLY IT IS NECESSARY ONLY TO QUOTE THE ASSEMBLY NUMBER. ANY COMPONENT PARTS LISTED MAY ALSO BE OBTAINED SEPARATELY IF REQUIRED.

## SPECIAL WORKSHOP TOOLS

A COMPLETE LIST OF WORKSHOP TOOLS CAN BE MADE AVAILABLE BY EITHER CONTACTING YOUR DEALER OR APPLYING DIRECT TO THE TRIUMPH SERVICE DEPARTMENT. IN MOST CASES THESE TOOLS ARE VERY COSTLY AS THEY ARE MADE ENTIRELY FOR WORKSHOP USE, AND THEREFORE, IT IS NOT RECOMMENDED THAT THE PRIVATE OWNER PURCHASES THE TOOLS IN ORDER TO AID SERVICING THE MACHINE ONCE OR TWICE ONLY. IN THESE CIRCUMSTANCES IT IS FAR MORE ECONOMICAL TO GET IN TOUCH WITH A RECOGNISED DEALER.

## UNIFIED THREAD FORM

NEW PARTS HAVING THREADED FIXINGS INTRODUCED IN THIS CATALOG HAVE THE UNIFIED FORM OF SCREW THREADS. THIS CHANGEVER WILL BE CONTINUED AS AND WHEN NEW PARTS ARE INTRODUCED. EVEN WHERE PARTS ARE SIMILAR IN APPEARANCE NEW PART NUMBERS WILL BE ALLOCATED TO IDENTIFY THE UNIFIED THREADS. ALL NUTS, BOLTS AND STUDS HAVING THIS THREAD ARE IDENTIFIED BY MARKINGS. BOLTS HAVE A CIRCULAR RECESS IN THEIR HEADS, STUDS A CIRCULAR GROOVE ON THE END, AND NUTS HAVE INTERLOCKING CIRCLES ON THE SIDE.

## COLOR

|                     |                |
|---------------------|----------------|
| TIGER 650 (TR6R)—   | } Pacific Blue |
| TROPHY 650 (TR6C)—  |                |
| BONNEVILLE (T120R)— | Tiger Gold     |

Paint is available in aerosol containers only.

## TRIUMPH SPARES

**HOW TO ORDER.** Every part is indicated by a number, and this should be quoted together with the description. In order to assist customers, dimensions have been given in many cases where parts are similar. Parts where possible have been listed in order of assembly and a number of the illustrations show the assembly order also. With these aids, there should be no difficulty in identifying the parts you require.

ALWAYS HEAD YOUR ORDER WITH THE ENGINE NUMBER, STAMPED ON THE LEFT SIDE OF THE ENGINE JUST BELOW THE CYLINDER, TOGETHER WITH THE PREFIX LETTERS.

**WHERE TO OBTAIN.** Triumph Spare Parts can only be obtained from an authorised Triumph Dealer, and we recommend our customers to place their orders with the Triumph Dealer in their district. When parts not usually asked for are required, and for which the Dealer may have to write or obtain specially, the postage or carriage incurred becomes payable.

TRIUMPH SPARES ARE NOT SUPPLIED TO PRIVATE OWNERS DIRECT FROM THE FACTORY. A LIST OF AUTHORISED DEALERS WHO STOCK TRIUMPH SPARES IS AVAILABLE ON REQUEST. IF DIFFICULTY IS EXPERIENCED IN OBTAINING THE REQUIRED PARTS, THE MATTER SHOULD BE TAKEN UP DIRECTLY WITH THE TRIUMPH SPARES DEPARTMENT.

Customers are warned against the risk incurred by purchasing parts that are not of genuine Triumph manufacture. This risk is eliminated if parts are ordered as instructed from recognised Dealers.

**PATTERNS AND PARTS FOR REPAIR.** It is not necessary to send patterns if the part number is quoted. The sending of patterns often delays the order as parcel post or rail takes longer than letter post.

Parts sent to Coventry for repair, replacement, or as patterns should bear the sender's Name and Address and clear instructions should accompany the parts. In your own interest send a copy of the advice note under separate cover. All parts must be forwarded carriage paid and care should be taken to ensure that all remittances are sent separately and not enclosed with the parts. Fragile units such as cylinders, etc., should always be boxed to avoid damage in transit. Complete machines should have all fitments such as windscreens, driving mirrors, tools, etc., removed by the sender before despatch, as it is impossible for us to accept responsibility in the event of loss in transit. We are always pleased to give estimates for overhauling and repairs, but should an estimate not be accepted, a charge will be made covering cost of dismantling and re-assembling, if carried out. Work cannot be accepted at the factory direct from private owners.

Communications relating to Parts should be addressed to the SPARES DEPARTMENT and for repairs, guarantee claims and technical advice to the SERVICE DEPARTMENT, Triumph Engineering Co. Ltd., Meriden Works, Allesley, Coventry. In order to facilitate quick reference, the quoting of any number, invoice number or reference from previous communications is essential. Accessories not of our manufacture should be sent direct to the actual makers, whose Names and Addresses appear below.

## PROPRIETARY GROUP

Ancillary equipment which is fitted to our motor cycles is of the highest quality and is guaranteed by the manufacturers and not by ourselves. Any repairs or claims should be directed to the actual makers or their local agents who will always give owners every possible assistance. The following are the addresses of the various manufacturers:—

### CARBURETORS

Messrs. Amal Ltd.,  
Holdford Road,  
Witton,  
Birmingham, 6.

### CHAINS.

Renold Chains Ltd.,  
Wythenshawe,  
Manchester.

### ELECTRICAL EQUIPMENT.

Messrs. J. Lucas Ltd.,  
Gt. Hampton Street,  
Birmingham, 18.

### TIRES.

Dunlop Rubber Co. Ltd.,  
Fort Dunlop,  
Birmingham, 24.

The Avon Rubber Co. Ltd.,  
Melksham,  
Wilts.

### SPARK PLUGS.

Champion Sparking Plug Co. Ltd.,  
Feltham,  
Middlesex.

### INSTRUMENTS.

Messrs. Smiths Industries Ltd.,  
Cricklewood Works,  
London, N.W.2.

### SUSPENSION UNITS.

Messrs. Girling Ltd.,  
Birmingham Road,  
West Bromwich,  
Staffordshire.

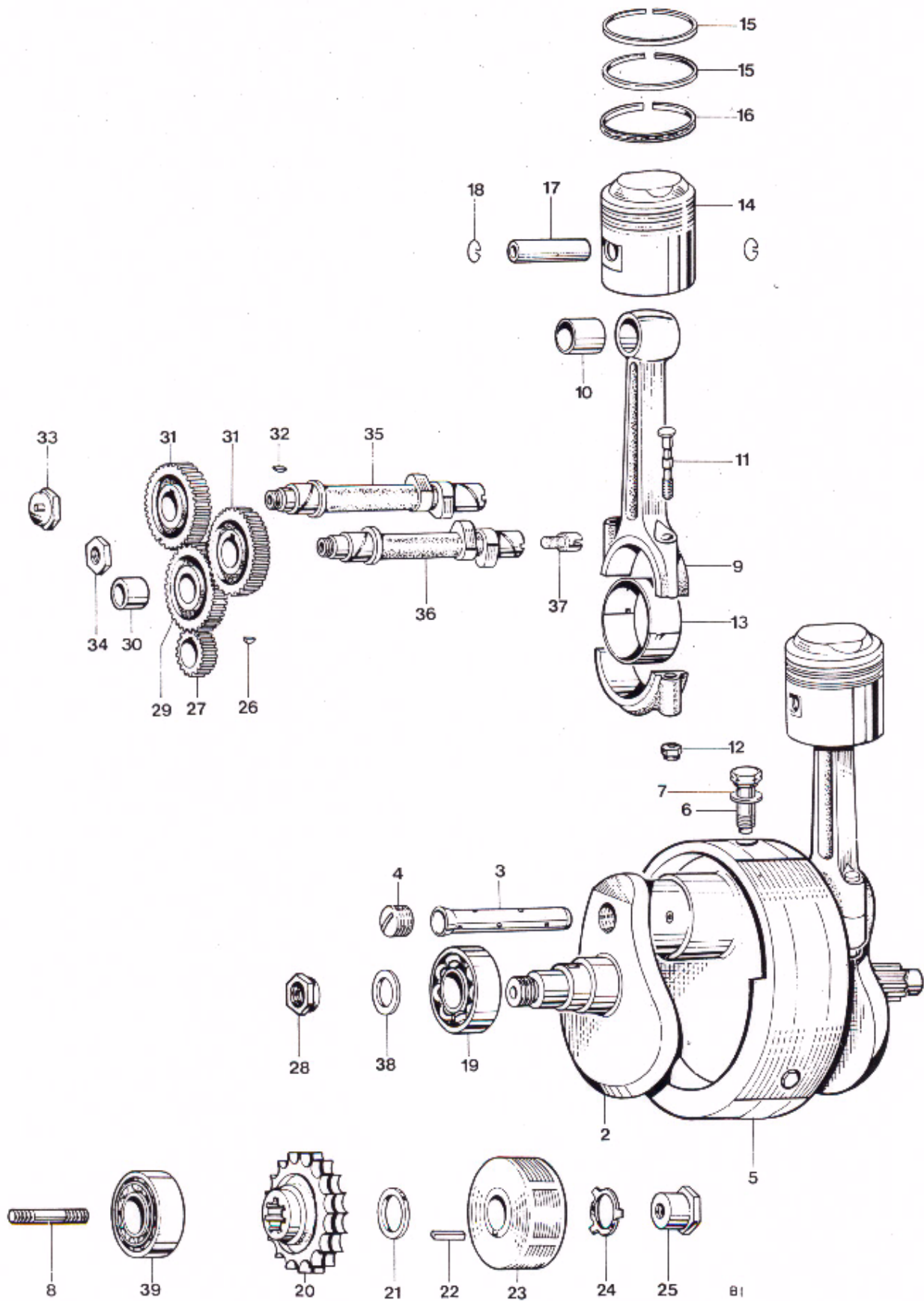


Fig. 1. CRANKSHAFT AND CONNECTING RODS

**CRANKSHAFT AND CONNECTING RODS**

|            |          |   |                   |                       |
|------------|----------|---|-------------------|-----------------------|
| 1          | E12600   | CRANKSHAFT AND FLYWHEEL ASSEMBLY                                | 1                 |                       |
| 2          | E4643    | CRANKSHAFT C/W. OIL TUBE  | 1                 |                       |
| 3          | E3903    | Oil tube  | 1                 |                       |
| 4          | E3905    | Screwed plug  | 1                 |                       |
| 5          | E12425   | Flywheel  | 1                 |                       |
| 6          | *E12601  | Flywheel bolt   | 3                 |                       |
| 7          | E11003   | Washer  | 3                 |                       |
| 8          | E3114    | Crankshaft stud (1 $\frac{1}{8}$ in. O.A.)                      | 1                 |                       |
| 9          | E9525    | CONNECTING ROD  | 2                 |                       |
| 10         | E1511    | Small end bush  | 2                 |                       |
| 11         | E6576    | Connecting rod bolt   | 4                 |                       |
| 12         | S2016    | Self locking nut  | 4                 |                       |
| 13         | E3586    | Big end bearing (Available in —010 in. and —020 in. undersizes) | 4                 |                       |
| 14         | E9488    | PISTON COMPLETE 9 : 1 C.R.                                      | 2                 |                       |
| 15         | E6864    | Taper compression ring  | 4                 |                       |
| 16         | E6865    | Oil control ring  | 2                 |                       |
| 17         | E6861    | Gudgeon pin (short)   | 2                 |                       |
| 18         | E6869    | Circlip   | 4                 |                       |
| 19         | E1591    | Main bearing, right   | 1                 |                       |
| 20         | E12662   | Motor sprocket, 29 teeth Duplex                                 | 1                 |                       |
| 21         | E4573    | Distance piece  | 1                 |                       |
| 22         | E100082  | Rotor key   | 1                 |                       |
| 23         | 54213901 | Rotor (99-0739)   | 1                 |                       |
| 24         | E3975    | Tab washer  | 1                 |                       |
| 25         | E3977    | Nut   | 1                 |                       |
| 26         | E1580    | Key   | 1                 |                       |
| 27         | E4564    | Timing pinion   | 1                 |                       |
| 28         | E4565    | Nut   | 1                 |                       |
| 29         | E6159    | INTERMEDIATE WHEEL  | 1                 |                       |
| 30         | E400     | Intermediate wheel bush   | 1                 |                       |
| 31         | E12719   | Camshaft wheel  | 2                 |                       |
| 32         | E1558    | Camshaft key  | 2                 |                       |
| 33         | E11007   | Inlet camshaft nut  | 1                 |                       |
| 34         | E6523    | Exhaust camshaft nut  | 1                 |                       |
| 35         | E11063   | Inlet camshaft,   | 1                 |                       |
| 36         | E9989    | EXHAUST CAMSHAFT  | 1                 |                       |
| 37         | E9988    | Tachometer drive plug   | 1                 |                       |
| 38         | E3300    | Clamping washer   | 1                 |                       |
| 39         | E2879    | Main bearing, left  | 1                 |                       |
| Not illus. | E12663   | Spacer  | 1                 |                       |
| Not illus. | E8038    | Shim (0.010 in.)  | } Engine sprocket | As required (up to 4) |
| Not illus. | E12660   | Shim (0.030 in.)  |                   |                       |

\* Use D524 Loctite Sealant

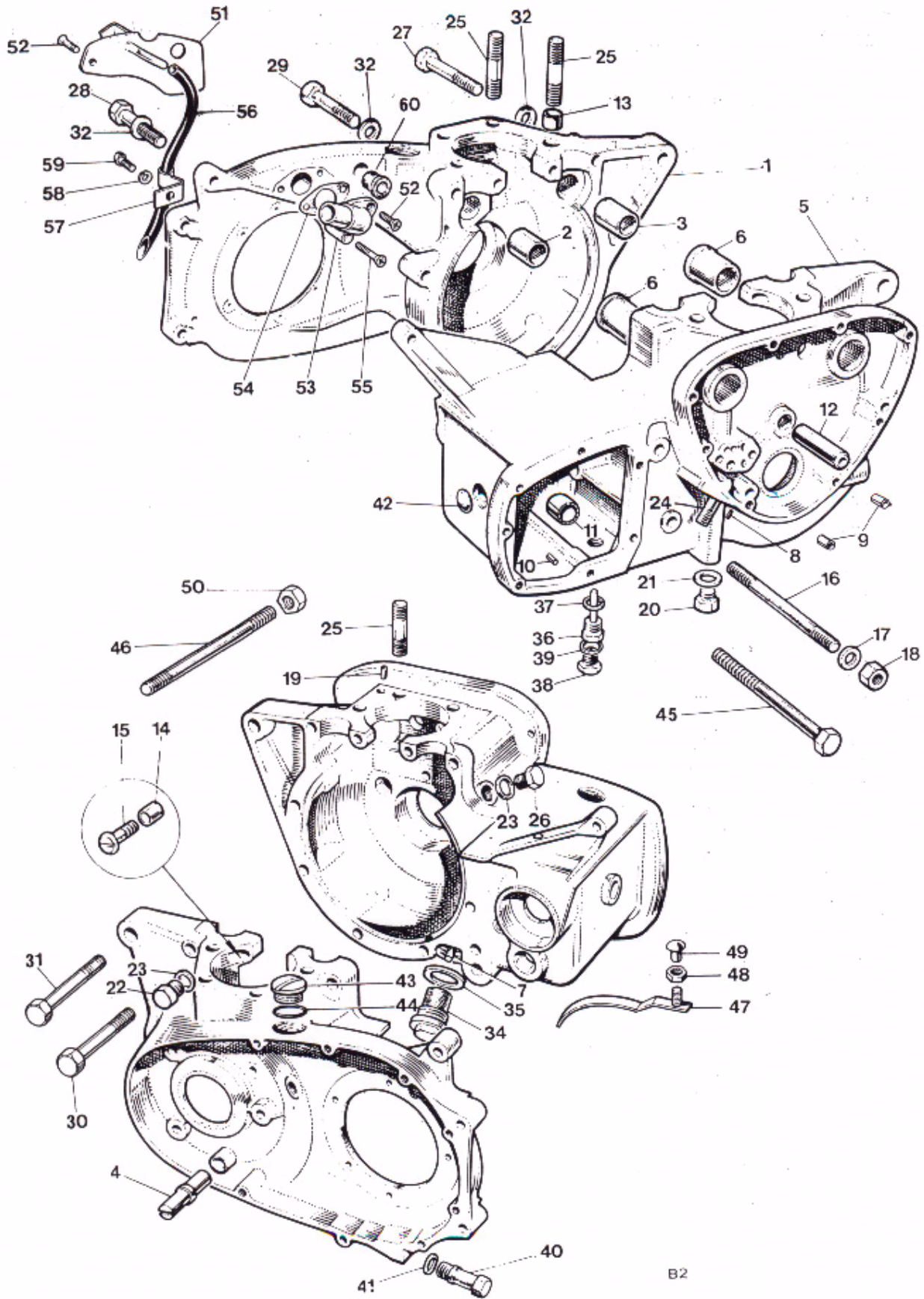


Fig. 2. CRANKCASE

| Ref. No.         | Part No. | DESCRIPTION   | QUANTITY | REMARKS        |
|------------------|----------|---|----------|----------------|
| <b>CRANKCASE</b> |          |   |          |                |
| 1                | E11266   | CRANKCASE DRIVE SIDE ... ..                         | 1        |                |
| 2                | E10287   | Camshaft bush ... ..                                | 1        |                |
| 3                | E10287   | Camshaft bush ... ..                                | 1        |                |
| 4                | E5976    | Chain tensioner abutment ... ..                     | 1        |                |
| 5                | E12274   | CRANKCASE TIMING SIDE ... ..                        | 1        |                |
| 6                | E10286   | Camshaft bush ... ..                                | 2        |                |
| 7                | E4538    | Scavenge pipe ... ..                                |          | Reference only |
| 8                | E6386    | Locating peg (at oil pipes) ... ..                  |          | Reference only |
| 9                | T989     | Hollow dowel ... ..                                 | 2        |                |
| 10               | T912     | Locating peg (L/S at thrust washer) ... ..          | 1        |                |
| 11               | T1606    | Needle roller bearing, layshaft ... ..              | 1        |                |
| 12               | E375     | Intermediate wheel spindle ... ..                   | 1        |                |
| 13               | E8751    | Hollow dowel ... ..                                 | 1        |                |
| 14               | E3716    | Hollow dowel ... ..                                 | 1        |                |
| 15               | S1873    | Screw ... ..  | 2        |                |
| 16               | 14-1445  | Stud ... ..   | 1        |                |
| 17               | S25-2    | Plain washer ... ..                                 | 2        |                |
| 18               | 14-0303  | Nut ... ..  | 2        |                |
| 19               | E1532    | Hollow dowel, tappet oil feed ... ..                | 2        |                |
| 20               | E9330    | Oilway plug ... ..                                  | 1        |                |
| 21               | F1880    | Copper washer ... ..                                | 1        |                |
| 22               | S1871    | Tachometer drive plug (L.H. thread) ... ..          | 1        |                |
| 23               | E8896    | Fibre washer ... ..                                 | 2        |                |
| 24               | S1863    | Oil pipe stud ... ..                                | 1        |                |
| 25               | S1865    | Cylinder stud ... ..                                | 8        |                |
| 26               | S1872    | Plug, timing hole ... ..                            | 1        |                |
| 27               | S1870    | Bolt ... ..   | 1        |                |
| 28               | 14-6220  | Bolt ... ..   | 1        |                |
| 29               | 14-6223  | Bolt ... ..   | 1        |                |
| 30               | 14-0230  | Bolt ... ..   | 1        |                |
| 31               | S1823    | Bolt ... ..   | 2        | (TR6C 3 off)   |
| 32               | D2330    | Plain washer ... ..                                 | 10       | (TR6C 7 off)   |
| 33               | 14-1302  | Nut ... ..  | 5        | (TR6C 4 off)   |
| 34               | E9336    | Crankcase filter ... ..                             | 1        |                |
| 35               | E5315    | Joint washer ... ..                                 | 1        |                |
| 36               | T2167    | Drain plug (with level tube) ... ..                 | 1        |                |
| 37               | T1257    | Fibre washer ... ..                                 | 1        |                |
| 38               | S543     | Level plug UN ... ..                                | 1        |                |
| 39               | E2441    | Copper washer ... ..                                | 1        |                |
| 40               | T2259    | Drain and adjuster plug ... ..                      | 1        |                |
| 41               | T1738    | Fibre washer ... ..                                 | 1        |                |
| 42               | T1920    | Blanking plug ... ..                                | 1        |                |
| 43               | T2166    | Filler plug UN ... ..                               | 2        |                |
| 44               | E8782    | "O" ring ... ..                                     | 2        |                |
| 45               | 14-6242  | Bolt ... ..   | 1        |                |
| 46               | S669     | Stud ... ..   | 1        | (Except TR6C)  |
| 47               | E8892    | Protection blade ... ..                             | 1        |                |
| 48               | 14-1301  | Self locknut UN ... ..                              | 1        |                |
| 49               | E7573    | Rubber plug (for protection blade stud hole) ... .. | 1        |                |
| 50               | 14-0402  | Nut, exhaust ties ... ..                            | 2        | (Except TR6C)  |
| 51               | E11072   | Breather cover plate assembly ... ..                | 1        |                |
| 52               | E11075   | Screw ... ..  | 1        |                |

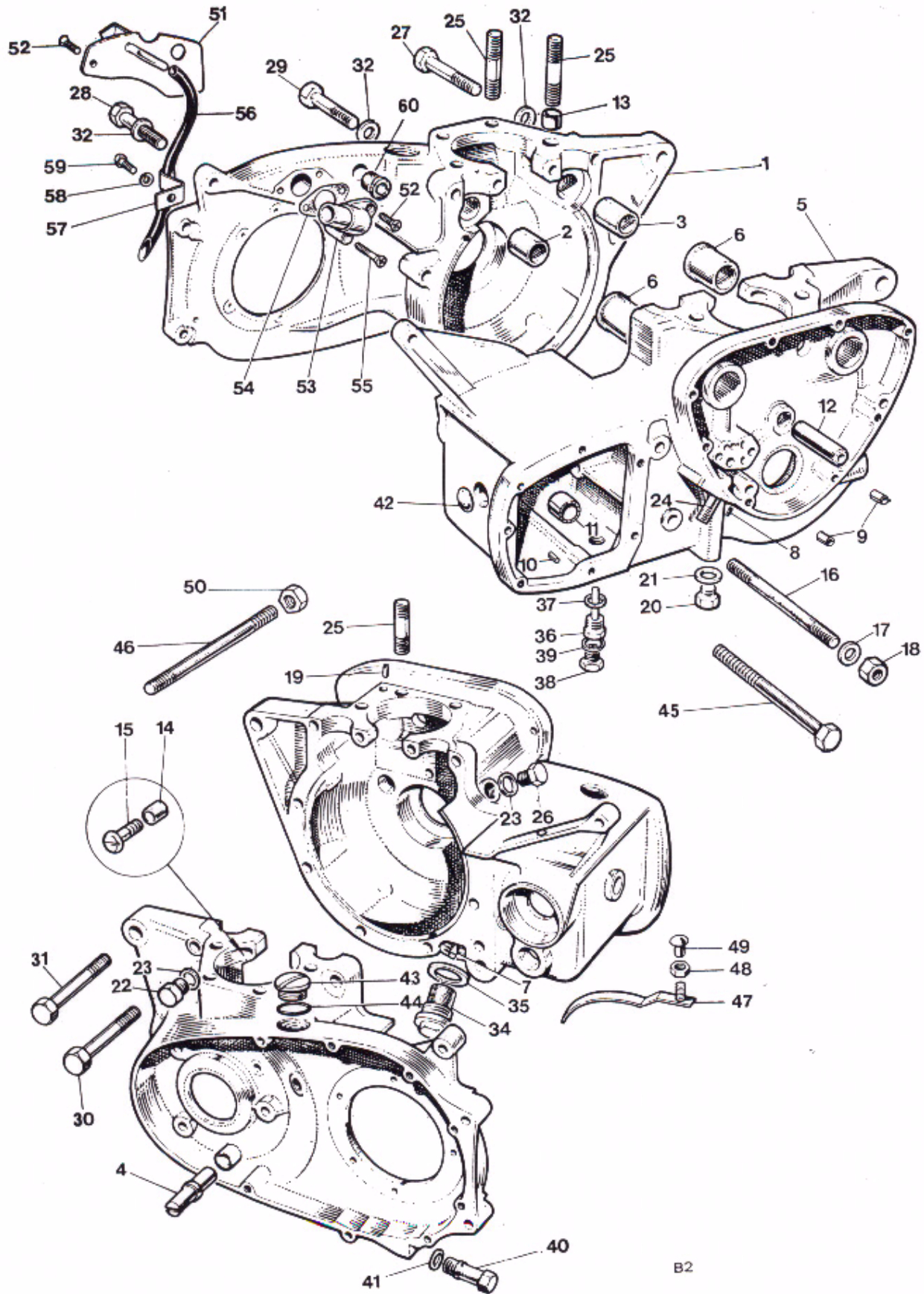


Fig. 2 CRANKCASE

B2



| Ref. No. | Part No. | DESCRIPTION | QUANTITY | REMARKS |
|----------|----------|-------------|----------|---------|
|----------|----------|-------------|----------|---------|

**CRANKCASE (continued)**

|    |         |   |   |  |
|----|---------|---|---|--|
| 53 | E9335   | Outlet stub ... ..                        | 1 |  |
| 54 | E11460  | Joint washer ... ..                       | 1 |  |
| 55 | E11077  | Screw ... ..                              | 2 |  |
| 56 | E11078  | Tube, primary chain oiler ... ..          | 1 |  |
| 57 | E4705   | Clip ... ..                               | 1 |  |
| 58 | S26-2   | Spring washer ... ..                      | 1 |  |
| 59 | 14-0101 | Bolt ( $\frac{7}{8}$ in. U.H.) ... ..     | 1 |  |
| 60 | E11345  | Grommet, alternator leads—external ... .. | 1 |  |

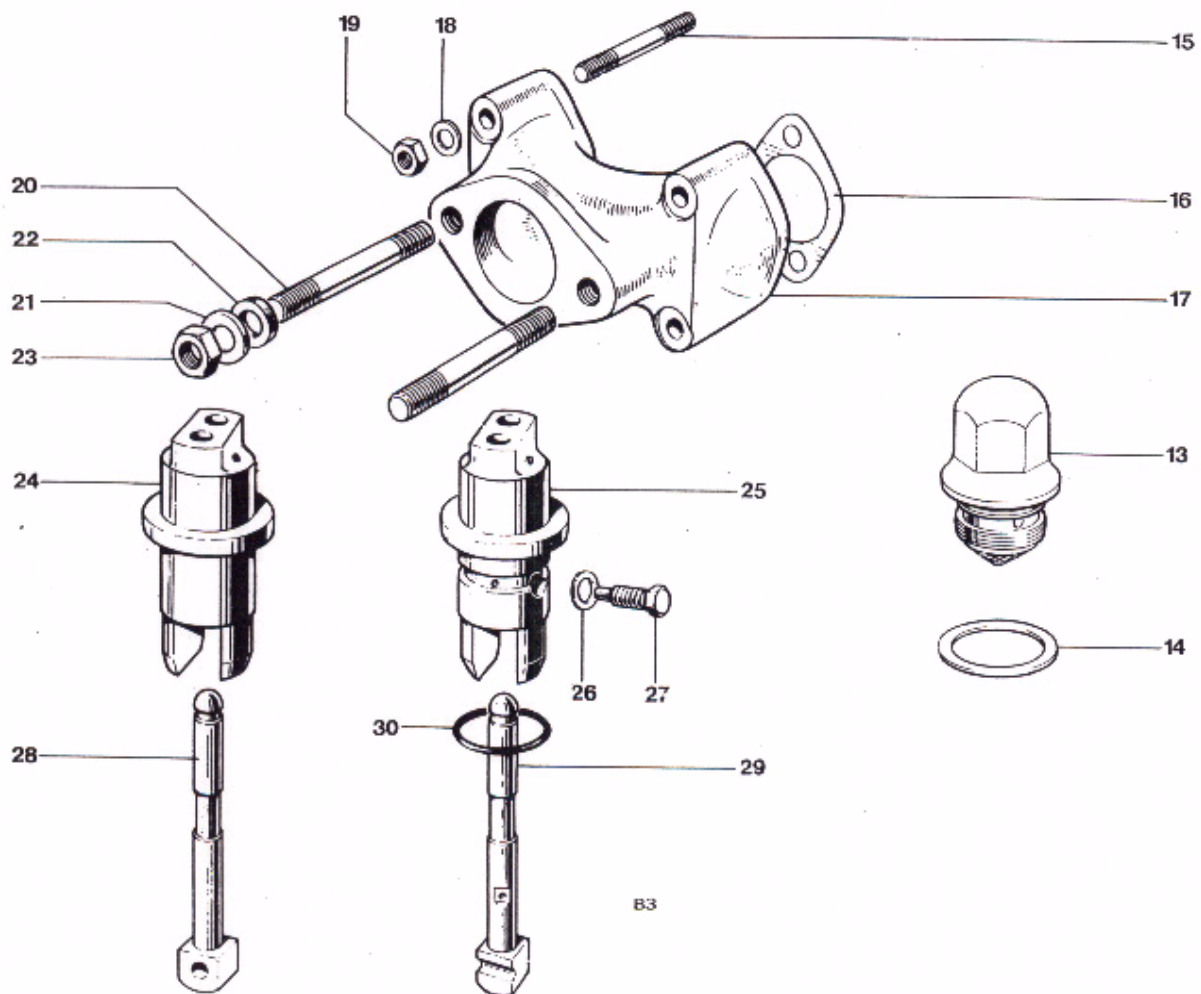
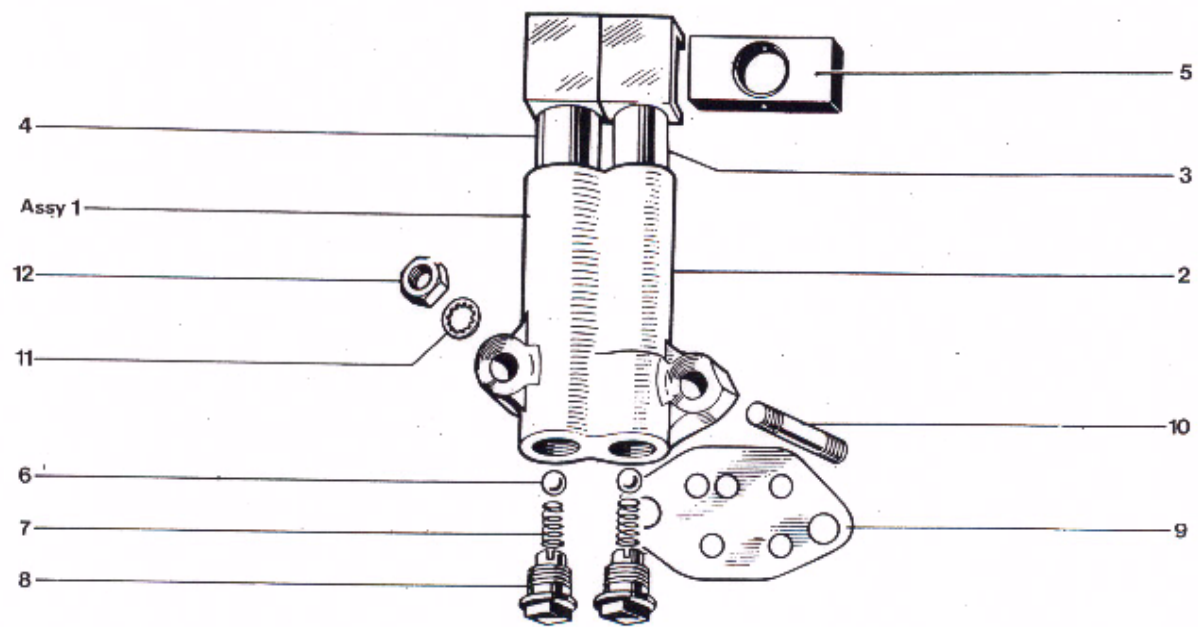


Fig. 3. OIL PUMP, RELEASE VALVE, MANIFOLD AND TAPPETS

**OIL PUMP, RELEASE VALVE, MANIFOLD AND TAPPETS**

| Ref. No. | Part No.       | DESCRIPTION                                  | QUANTITY | REMARKS |
|----------|----------------|--|----------|---------|
| 1        | E9421          | OIL PUMP ... ..                              | 1        |         |
| 2        | Reference only | Pump body... ..                              | 1        |         |
| 3        | E9269          | Feed plunger ... ..                          | 1        |         |
| 4        | E6681          | Scavenge plunger ... ..                      | 1        |         |
| 5        | E495           | Drive block ... ..                           | 1        |         |
| 6        | S70-7          | Valve ball ( $\frac{7}{32}$ in. dia.) ... .. | 2        |         |
| 7        | E403           | Valve spring ... ..                          | 2        |         |
| 8        | E2360          | Screwed plug ... ..                          | 2        |         |
| 9        | E11461         | Joint washer ... ..                          | 1        |         |
| 10       | S1684          | Oil pump stud ... ..                         | 2        |         |
| 11       | E3887          | Serrated washer ... ..                       | 2        |         |
| 12       | S1906          | Nut ... ..                                   | 2        |         |
| 13       | E12210         | Oil release valve ... ..                     | 1        |         |
| 14       | E1670          | Fibre washer ... ..                          | 1        |         |
| 15       | S1876          | Stud ... ..                                  | 4        |         |
| 16       | E5660          | Joint washer ... ..                          | 2        |         |
| 17       | E9973          | Inlet manifold ... ..                        | 1        |         |
| 18       | S25-13         | Plain washer ... ..                          | 4        | } TR6   |
| 19       | S1877          | Nut ... ..                                   | 4        |         |
| 20       | S1996          | Stud ... ..                                  | 2        |         |
| 21       | E9555          | Cup ... ..                                   | 2        |         |
| 22       | E9554          | "O" ring ... ..                              | 2        |         |
| 23       | 14-1301        | Nut ... ..                                   | 2        |         |
| 24       | E9352          | Inlet tappet guide ... ..                    | 1        |         |
| 25       | E9353          | Exhaust tappet guide ... ..                  | 1        |         |
| 26       | E1612          | Copper washer ... ..                         | 2        |         |
| 27       | H200           | Set bolt ... ..                              | 2        |         |
| 28       | E3059R         | Inlet tappet ... ..                          | 2        |         |
| 29       | E8801          | Exhaust tappet ... ..                        | 2        |         |
| 30       | E7563          | 'O' Ring ... ..                              | 2        |         |

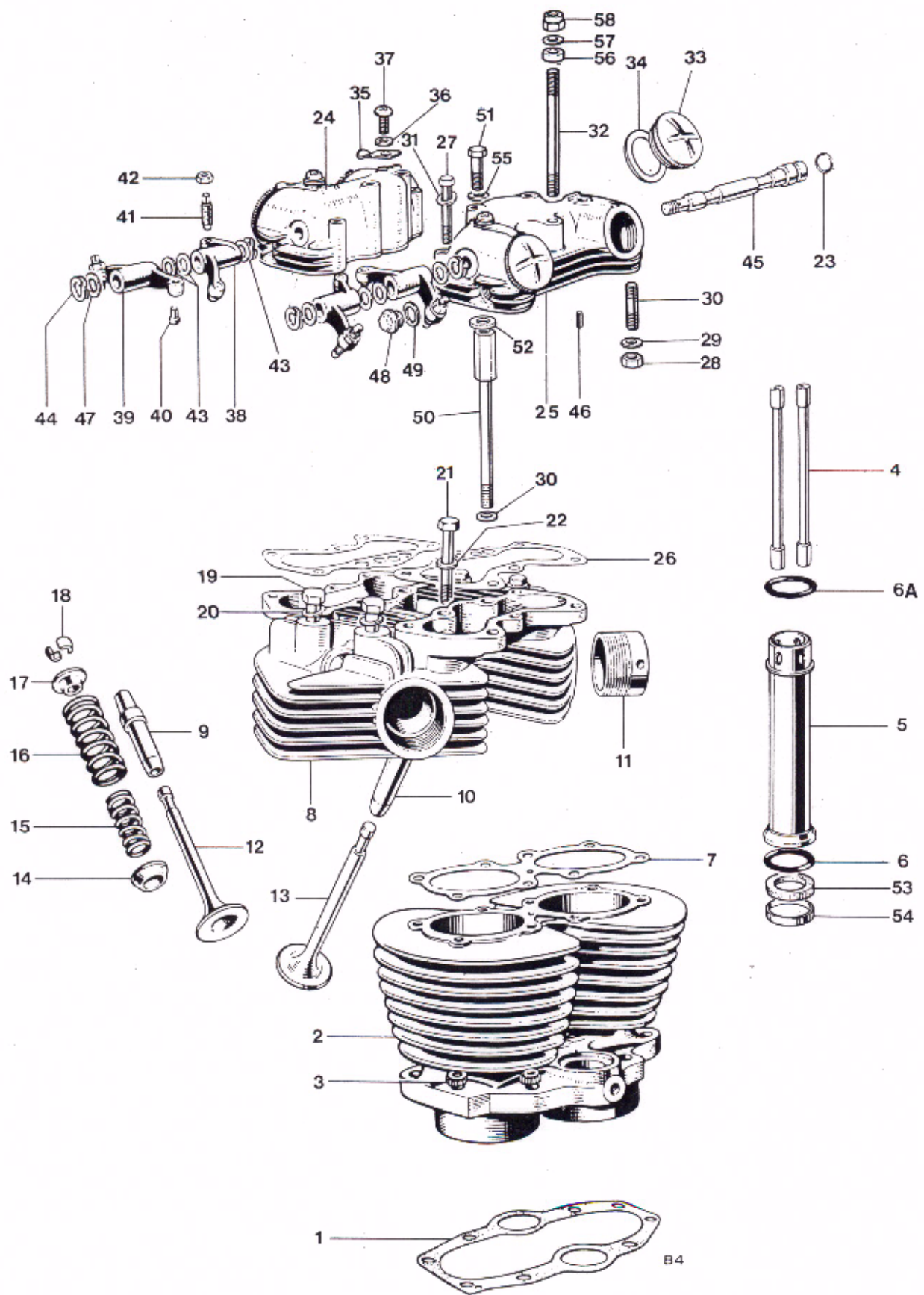


Fig. 4. CYLINDER BLOCK AND HEAD, TR6R, TR6C

**CYLINDER BLOCK AND HEAD, TR6R, TR6C**

|    |         |   |   |  |
|----|---------|---|---|--|
| 1  | E6309   | Cylinder base washer ... ..                   | 1 |  |
| 2  | E6304   | Cylinder block ... ..                         | 1 |  |
| 3  | S692    | Cylinder base nut ... ..                      | 8 |  |
| 4  | E2620   | Push rod ... ..                               | 4 |  |
| 5  | E12575  | Cover tube ... ..                             | 2 |  |
| 6  | E731Q   | "O" ring, push rod cover tube (bottom) ... .. | 2 |  |
| 6a | E11283  | "O" ring, push rod cover tube (top) ... ..    | 2 |  |
| 7  | E4547   | Cylinder head gasket ... ..                   | 1 |  |
| 8  | E12354  | CYLINDER HEAD c/w GUIDES ... ..               | 1 |  |
| 9  | E2899   | Inlet valve guide ... ..                      | 2 |  |
| 10 | E2900   | Exhaust valve guide ... ..                    | 2 |  |
| 11 | E9516   | Exhaust pipe adaptor ... ..                   | 2 |  |
| 12 | E4603   | Inlet valve ... ..                            | 2 |  |
| 13 | E2904   | Exhaust valve ... ..                          | 2 |  |
| 14 | E6439   | Bottom cup ... ..                             | 4 |  |
| 15 | E4221   | Inner valve spring (red spot) ... ..          | 4 |  |
| 16 | E7400   | Outer valve spring (green spot) ... ..        | 4 |  |
| 17 | E1543   | Top collar ... ..                             | 4 |  |
| 18 | 99-0063 | Split cotter ... ..                           | 8 |  |
| 19 | E327    | Cylinder head bolt ... ..                     | 4 |  |
| 20 | F2184   | Plain washer ... ..                           | 4 |  |
| 21 | E4771   | Bolt ... ..                                   | 1 |  |
| 22 | S25-3   | Plain washer ... ..                           | 1 |  |
| 23 | E3253   | Sealing ring ... ..                           | 2 |  |
| 24 | E12350  | Inlet rocker box ... ..                       | 1 |  |
| 25 | E12351  | Exhaust rocker box ... ..                     | 1 |  |
| 26 | E12599  | Joint washer ... ..                           | 2 |  |
| 27 | S1875   | Rocker box bolt ... ..                        | 4 |  |
| 28 | 14-0301 | Rocker box nut... ..                          | 6 |  |
| 29 | E3302   | Plain washer ... ..                           | 6 |  |
| 30 | 14-1401 | Rocker box stud ... ..                        | 6 |  |
| 31 | S25-13  | Plain washer ... ..                           | 4 |  |
| 32 | 14-1435 | Cylinder head stud (for torque stay) ... ..   | 2 |  |
| 33 | E4610   | Inspection cap ... ..                         | 4 |  |
| 34 | E3751   | Joint washer ... ..                           | 4 |  |
| 35 | E4609   | Locking spring ... ..                         | 4 |  |
| 36 | WE170   | Fibre washer ... ..                           | 4 |  |
| 37 | 14-2203 | Screw ... ..                                  | 4 |  |
| 38 | E1457   | ROCKER (right exhaust, left inlet) ... ..     | 2 |  |
| 39 | E1458   | ROCKER (left exhaust, right inlet) ... ..     | 2 |  |
| 40 | E10070  | Rocker ball pin ... ..                        | 4 |  |
| 41 | E1513   | Rocker adjusting pin ... ..                   | 4 |  |
| 42 | E470    | Adjuster lock nut ... ..                      | 4 |  |
| 43 | E1575   | Thrust washer, 1/2 in. ... ..                 | 6 |  |
| 44 | E1574   | Spring washer ... ..                          | 4 |  |
| 45 | E1512   | Rocker spindle ... ..                         | 2 |  |
| 46 | E12361  | Dowel, rocker box ... ..                      | 4 |  |
| 47 | E1330   | Thrust washer, 3/8 in. ... ..                 | 2 |  |
| 48 | E12079  | Access plug ... ..                            | 4 |  |
| 49 | E12080  | Washer ... ..                                 | 4 |  |
| 50 | E12362  | Bolt, cylinder head ... ..                    | 4 |  |
| 51 | S588    | Bolt, rocker box ... ..                       | 4 |  |

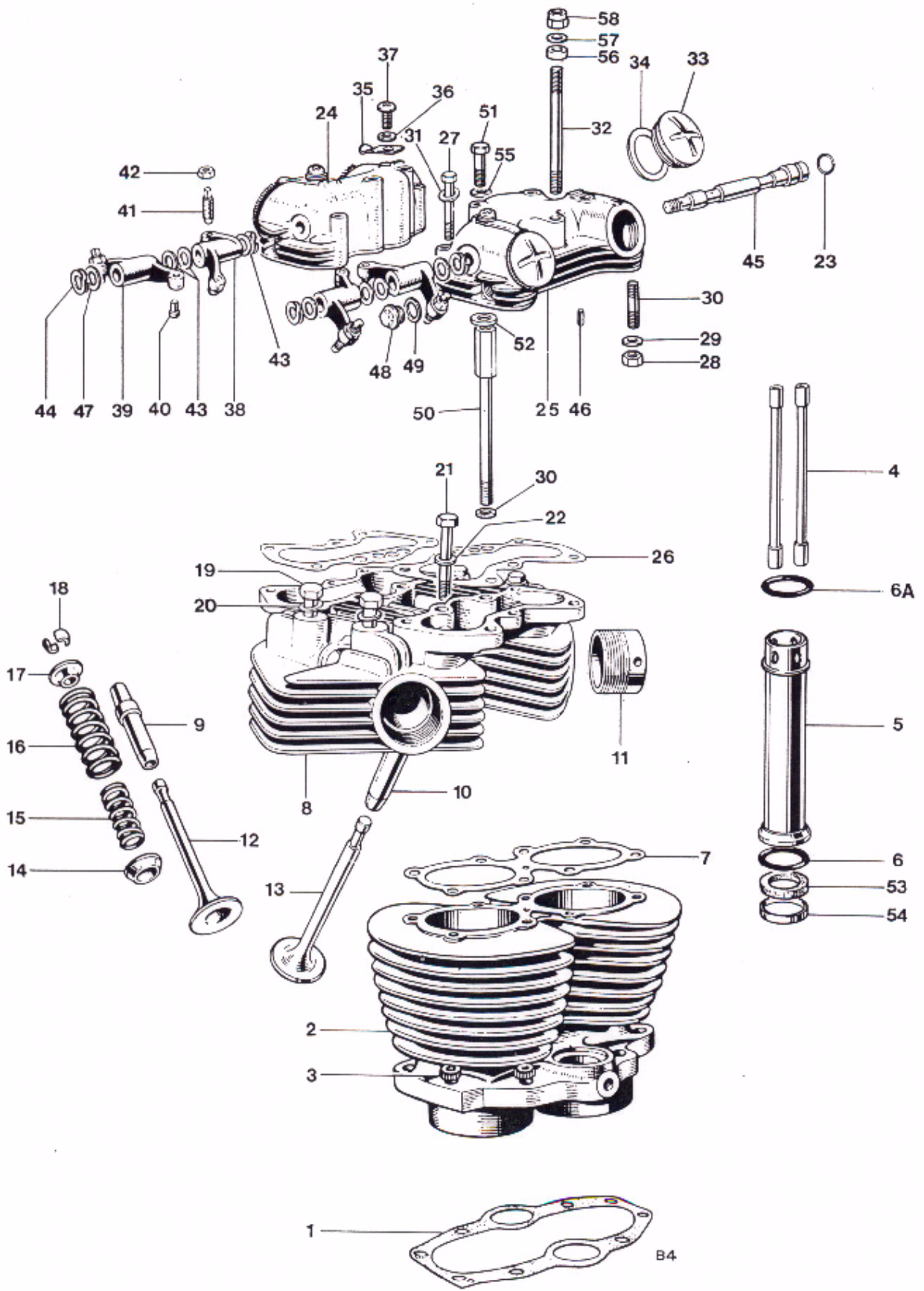


Fig. 4. CYLINDER BLOCK AND HEAD, TR6R, TR6C

**CYLINDER BLOCK AND HEAD, TR6R, TR6C (continued)**

|    |         |                     |                   |   |
|----|---------|---------------------|-------------------|---|
| 52 | E12598  | Spacer ... ..       | 4                 |   |
| 53 | E4752   | Sealing ring ... .. | 2                 |   |
| 54 | E11707  | Sleeve ... ..       | 2                 |   |
| 55 | D2332   | Washer ... ..       | 4                 |   |
| 56 | E12597  | Distance piece      | } For torque stay | 2 |
| 57 | D2331   | Washer              |                   | 2 |
| 58 | 14-1303 | Nut                 |                   | 2 |

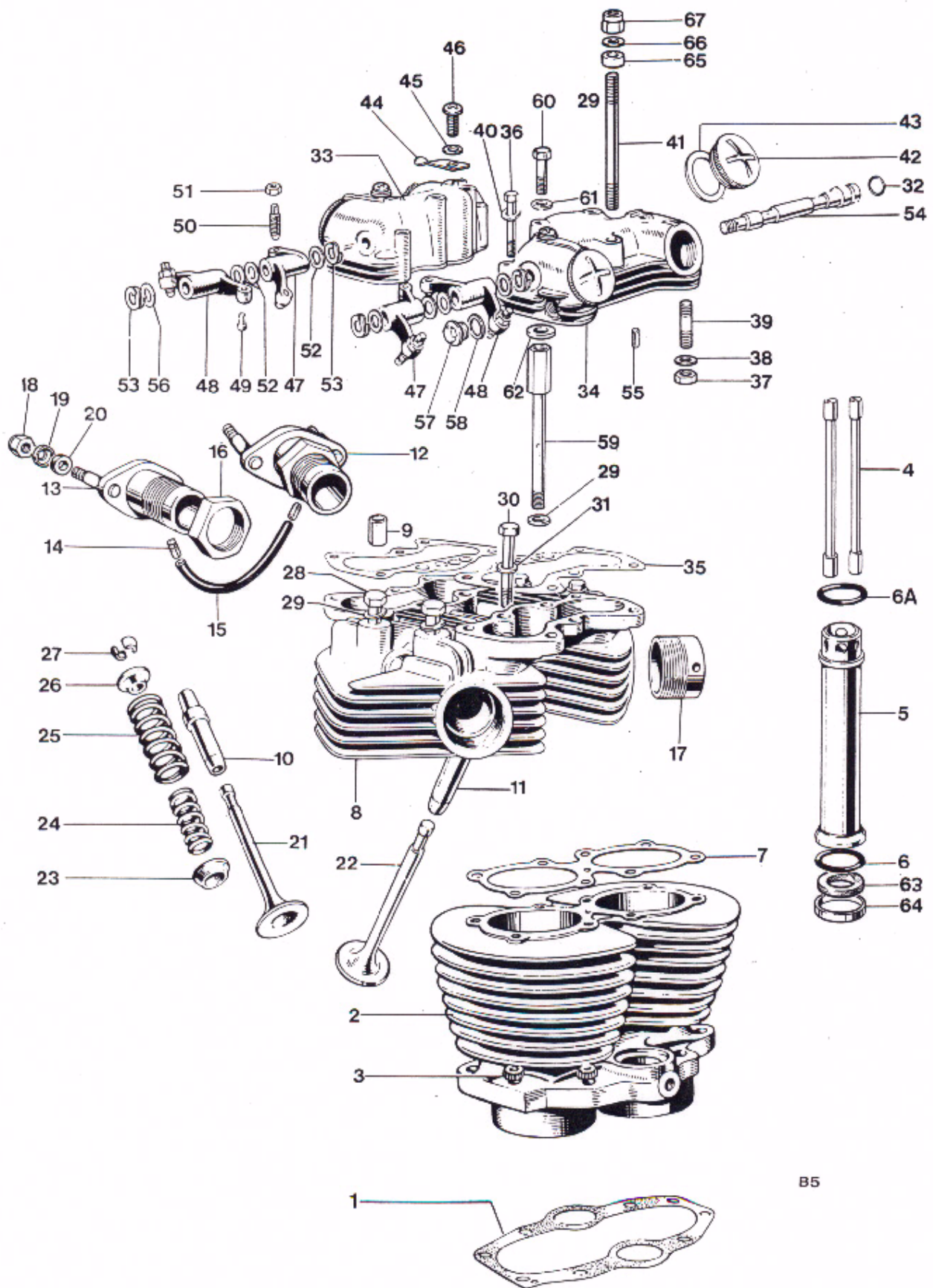


Fig. 5. CYLINDER BLOCK AND HEAD, T120R

B5



**CYLINDER BLOCK AND HEAD, T120R**

|    |         |   |   |                |
|----|---------|---|---|----------------|
| 1  | E6309   | Cylinder base washer ... ..                               | 1 |                |
| 2  | E6304   | Cylinder block ... ..                                     | 1 |                |
| 3  | S692    | Cylinder base nut ... ..                                  | 8 |                |
| 4  | E2620   | Push rod ... ..   | 4 |                |
| 5  | E12575  | Cover tube ... ..   | 2 |                |
| 6  | E7310   | "O" ring (bottom) ... ..                                  | 2 |                |
| 6A | E11283  | "O" ring (top) ... ..                                     | 2 |                |
| 7  | E4547   | Cylinder head gasket ... ..                               | 1 |                |
| 8  | E12356  | CYLINDER HEAD c/w GUIDES ... ..                           | 1 |                |
| 9  | E5347   | Sleeve for head bolts passing through inlet tracts ... .. |   | Reference only |
| 10 | E3827   | Inlet valve guide ... ..                                  | 2 |                |
| 11 | E3828   | Exhaust valve guide ... ..                                | 2 |                |
| 12 | E9550   | Carburetor adaptor, left ... ..                           | 1 |                |
| 13 | E9551   | Carburetor adaptor, right ... ..                          | 1 |                |
| 14 | E6916   | Connector ... ..  | 2 |                |
| 15 | E4792   | Balance pipe ... ..                                       | 1 |                |
| 16 | S1932   | Adaptor locking nut ... ..                                | 2 |                |
| 17 | E9516   | Exhaust pipe adaptor ... ..                               | 2 |                |
| 18 | 14-1301 | Self-locking nut ... ..                                   | 4 |                |
| 19 | E9555   | Cup ... ..  | 4 |                |
| 20 | E9554   | Insulating ring ... ..                                    | 4 |                |
| 21 | E4603   | Inlet valve ... ..  | 2 |                |
| 22 | E2904   | Exhaust valve ... ..                                      | 2 |                |
| 23 | E6439   | Bottom cup ... ..   | 4 |                |
| 24 | E4221   | Inner valve spring (Red spot) ... ..                      | 4 |                |
| 25 | E7400   | Outer valve spring (green spot) ... ..                    | 4 |                |
| 26 | E1543   | Top collar ... ..   | 4 |                |
| 27 | 99-0062 | Split cotter ... ..                                       | 8 |                |
| 28 | E327    | Cylinder head bolt ... ..                                 | 4 |                |
| 29 | F2184   | Plain washer ... ..                                       | 4 |                |
| 30 | E4771   | Bolt ... ..   | 1 |                |
| 31 | S25-3   | Plain washer ... ..                                       | 1 |                |
| 32 | E3253   | Sealing ring ... ..                                       | 2 |                |
| 33 | E12350  | Inlet rocker box ... ..                                   | 1 |                |
| 34 | E12351  | Exhaust rocker box ... ..                                 | 1 |                |
| 35 | E12365  | Joint washer ... ..                                       | 2 |                |
| 36 | S1875   | Rocker box bolt ... ..                                    | 4 |                |
| 37 | 14-0301 | Nut ... ..  | 6 |                |
| 38 | E3302   | Plain washer ... ..                                       | 6 |                |
| 39 | 14-1401 | Rocker box stud ... ..                                    | 6 |                |
| 40 | S25-13  | Plain washer ... ..                                       | 4 |                |
| 41 | 14-1435 | Cylinder head stud (for torque stay) ... ..               | 2 |                |
| 42 | E4610   | Inspection cap ... ..                                     | 4 |                |
| 43 | E3751   | Joint washer ... ..                                       | 4 |                |
| 44 | E4609   | Locking spring ... ..                                     | 4 |                |
| 45 | WE170   | Fibre washer ... ..                                       | 4 |                |
| 46 | 14-2203 | Screw ... ..  | 4 |                |
| 47 | E1457   | ROCKER (right exhaust, left inlet) ... ..                 | 2 |                |
| 48 | E1458   | ROCKER (left exhaust, right inlet) ... ..                 | 2 |                |
| 49 | E10070  | Rocker ball pin ... ..                                    | 4 |                |
| 50 | E1513   | Rocker adjusting pin ... ..                               | 4 |                |
| 51 | E470    | Adjuster lock nut ... ..                                  | 4 |                |
| 52 | E1575   | Thrust washer, 1/4 in. ... ..                             | 6 |                |
| 53 | E1574   | Spring washer ... ..                                      | 4 |                |

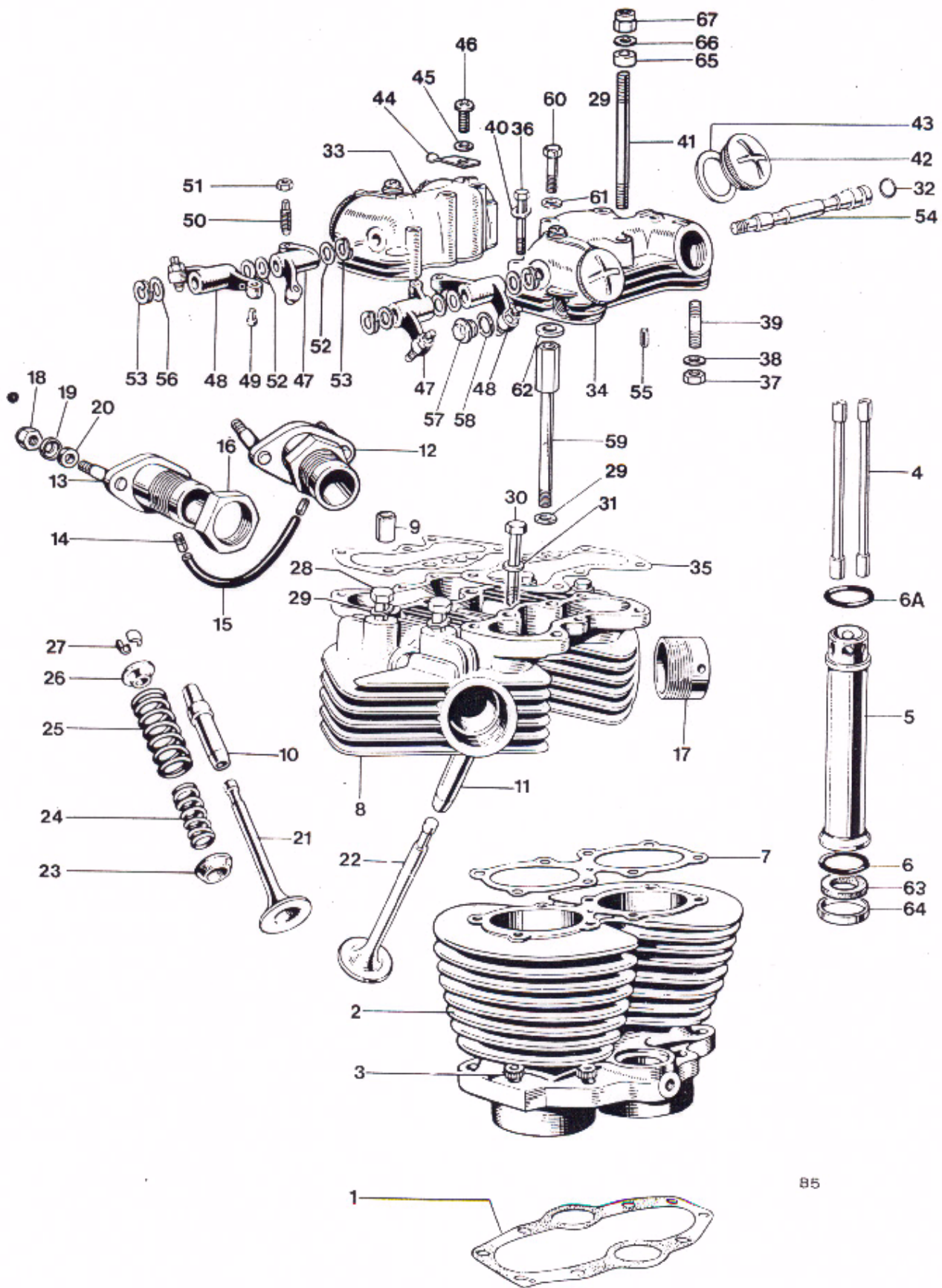


Fig. 5. CYLINDER BLOCK AND HEAD, T120R

**CYLINDER BLOCK AND HEAD, T120R (continued)**

| Ref. No. | Part No. | DESCRIPTION                             | QUANTITY | REMARKS           |
|----------|----------|---|----------|-------------------|
| 54       | E1512    | Rocker spindle ... ..                   | 2        |                   |
| 55       | E12361   | Dowel, rocker box ... ..                | 4        |                   |
| 56       | E1330    | Thrust washer, $\frac{3}{8}$ in. ... .. | 2        |                   |
| 57       | E12079   | Access plug ... ..                      | 4        |                   |
| 58       | E12080   | Washer ... ..                           | 4        |                   |
| 59       | E12362   | Bolt, cylinder head ... ..              | 4        |                   |
| 60       | S588     | Bolt, rocker box ... ..                 | 4        |                   |
| 61       | D2332    | Washer ... ..                           | 4        |                   |
| 62       | E12598   | Spacer ... ..                           | 4        |                   |
| 63       | E4752    | Sealing ring ... ..                     | 2        |                   |
| 64       | E11707   | Sleeve ... ..                           | 2        |                   |
| 65       | E12597   | Distance piece ... ..                   | 2        | } For torque stay |
| 66       | D2331    | Washer ... ..                           | 2        |                   |
| 67       | 14-1303  | Nut ... ..                              | 2        |                   |

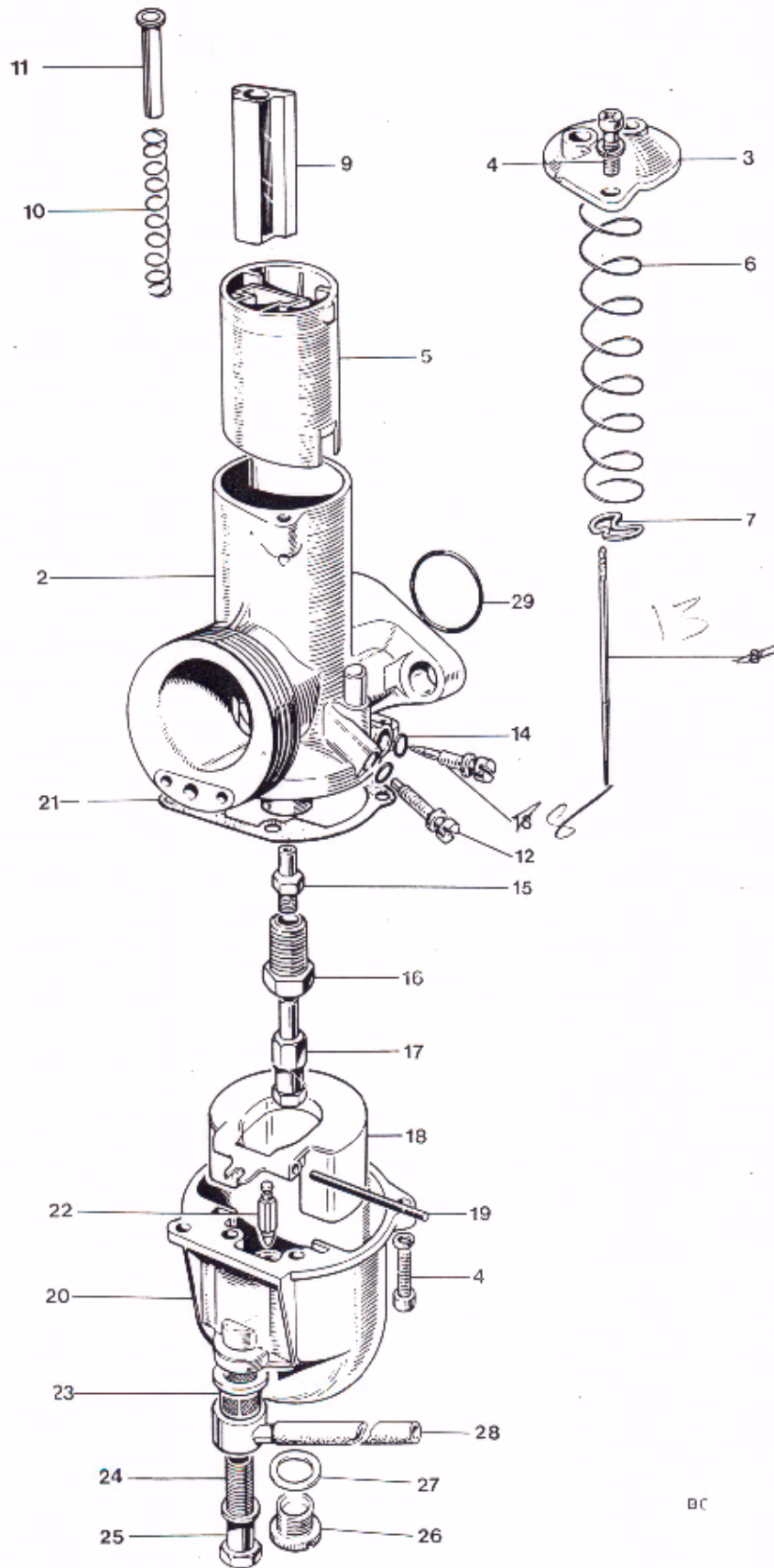


Fig. 6. AMAL CARBUKETOR, TR6R, TR6C

## AMAL CARBURETOR TR6R, TR6C

| Ref. No. | Part No.       | Description                                  | Quantity | Remarks |
|----------|----------------|--|----------|---------|
| 1        | D2183          | CARBURETOR (R930/60) less "O" ring ... ..    | 1        |         |
| 2        | Reference only | Mixing chamber (930/005) ... ..              | 1        |         |
| 3        | 928/098        | Mixing chamber top (99-1032) ... ..          | 1        |         |
| 4        | 622/086        | Screw (99-0521) ... ..                       | 4        |         |
| 5        | 928/060        | Throttle valve (3½ cutaway) (99-0527) ... .. | 1        |         |
| 6        | 622/131        | Throttle return spring (99-1033) ... ..      | 1        |         |
| 7        | 622/077        | Throttle stop screw (99-0516) ... ..         | 1        |         |
| 8        | 622/076        | Air adjusting screw (99-0515) ... ..         | 1        |         |
| 9        | 622/082        | "O" ring (99-0520) ... ..                    | 2        |         |
| 10       | 622/128        | Jet holder (99-1034) ... ..                  | 1        |         |
| 11       | 376/100        | Main jet (230) (99-0441) ... ..              | 1        |         |
| 12       | 622/122        | Needle jet (0-106) (99-1035) ... ..          | 1        |         |
| 13       | 622/124        | Needle (99-1036) ... ..                      | 1        |         |
| 14       | 622/067        | Needle clip (99-0510) ... ..                 | 1        |         |
| 15       | 928/103        | Air valve guide sleeve (99-1037) ... ..      | 1        |         |
| 16       | 622/069        | Float (99-0512) ... ..                       | 1        |         |
| 17       | 622/071        | Float spindle (99-0513) ... ..               | 1        |         |
| 18       | 622/073        | Joint washer (99-0514) ... ..                | 1        |         |
| 19       | 622/055        | Float chamber (99-0506) ... ..               | 1        |         |
| 20       | 622/068        | Needle (99-0511) ... ..                      | 1        |         |
| 21       | 376/093        | Filter (99-0438) ... ..                      | 1        |         |
| 22       | 622/078        | Banjo bolt (99-0517) ... ..                  | 1        |         |
| 23       | 376/092        | Fibre washer (99-0437) ... ..                | 1        |         |
| 24       | 928/062        | Air slide (99-0528) ... ..                   | 1        |         |
| 25       | 622/129        | Spring (99-1038) ... ..                      | 1        |         |
| 26       | 622/147        | Drain plug (99-1152) ... ..                  | 1        |         |
| 27       | 622/151        | Washer (99-1153) ... ..                      | 1        |         |
| 28       | F13507         | Petrol pipe ... ..                           | 1        |         |
| 29       | E9711          | "O" ring ... ..                              | 1        |         |

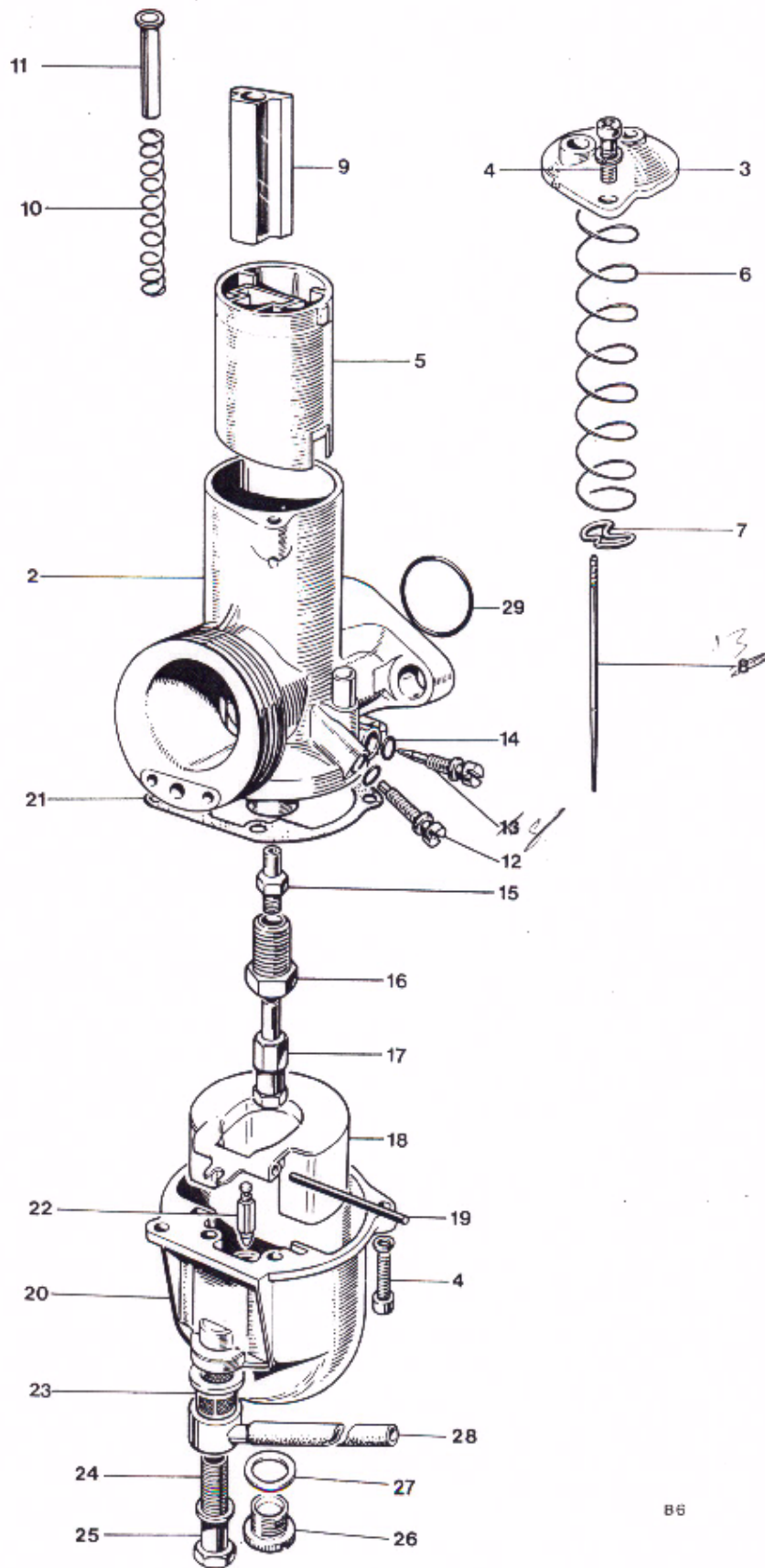


Fig. 7. AMAL CARBURETOR, T120R

**AMAL CARBURETOR T120R**

|    |                |  |   |                   |
|----|----------------|--|---|-------------------|
| 1  | D3492          | CARBURETOR—L.H. (L930/67)              | 1 | } Less "O" ring   |
| 1  | D3491          | CARBURETOR—R.H. (R930/66)              | 1 |                   |
| 2  | Reference only | Mixing chamber (L930/005 and R930/005) | 1 | } Each carburetor |
| 3  | 928/098        | Mixing chamber top (99-1032)           | 1 |                   |
| 4  | 622/086        | Screw (99-0521)                        | 4 |                   |
| 5  | 928/060        | Throttle valve (3 cutaway) (99-0527)   | 1 |                   |
| 6  | 622/131        | Throttle return spring (99-1033)       | 1 |                   |
| 7  | 622/077        | Throttle stop screw (99-0516)          | 1 |                   |
| 8  | 622/076        | Air adjusting screw (99-0515)          | 1 |                   |
| 9  | 622/082        | "O" ring (99-0520)                     | 2 |                   |
| 10 | 622/128        | Jet holder (99-1034)                   | 1 |                   |
| 11 | 376/100        | Main jet (99-0446) (190)               | 1 |                   |
| 12 | 622/122        | Needle jet (99-1035) (0-106)           | 1 |                   |
| 13 | 622/124        | Needle (99-1036)                       | 1 |                   |
| 14 | 622/067        | Needle clip (99-0510)                  | 1 |                   |
| 15 | 928/103        | Air valve guide sleeve (99-1037)       | 1 |                   |
| 16 | 622/069        | Float (99-0512)                        | 1 |                   |
| 17 | 622/071        | Float spindle (99-0513)                | 1 |                   |
| 18 | 622/073        | Joint washer (99-0514)                 | 1 |                   |
| 19 | 622/055        | Float chamber (99-0506)                | 1 |                   |
| 20 | 622/068        | Needle (99-0511)                       | 1 |                   |
| 21 | 376/093        | Filter (99-0438)                       | 1 |                   |
| 22 | 622/078        | Banjo bolt (99-0517)                   | 1 |                   |
| 23 | 13/163         | Fibre washer (99-0000)                 | 1 |                   |
| 24 | 928/062        | Air slide (99-0528)                    | 1 |                   |
| 25 | 622/129        | Spring (99-1038)                       | 1 |                   |
| 26 | 622/147        | Drain plug                             | 1 |                   |
| 27 | 622/151        | Washer                                 | 1 |                   |
| 28 | F13508         | Petrol pipe                            | 1 |                   |
| 29 | E9711          | "O" ring                               | 2 |                   |

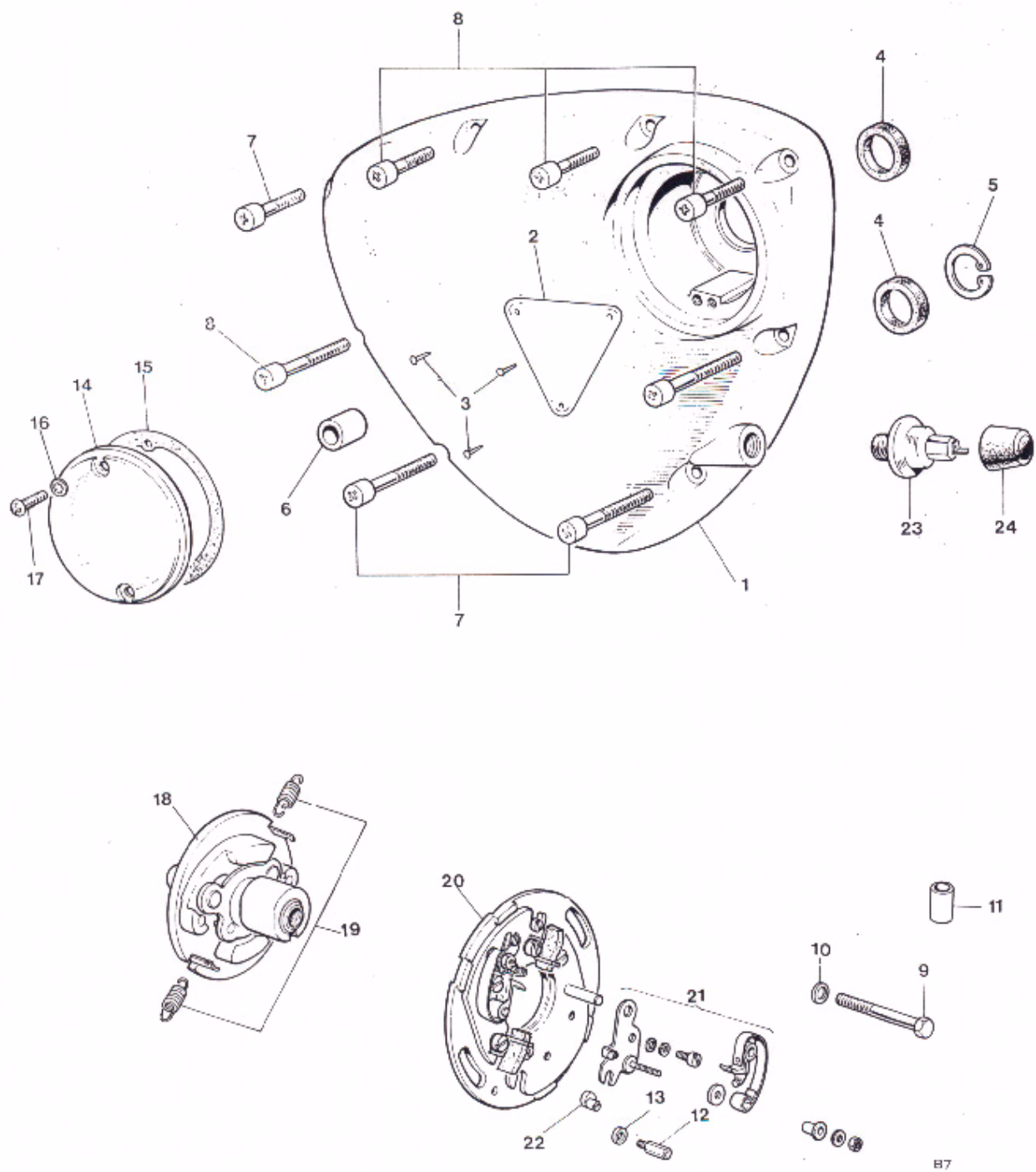


Fig. 8. TIMING COVER AND CONTACT BREAKER



**TIMING COVER AND CONTACT BREAKER**

|            |          |   |   |                         |
|------------|----------|---|---|-------------------------|
| 1          | E9246    | Timing cover ... ..                             | 1 |                         |
| 2          | E4016    | Patent plate ... ..                             | 1 |                         |
| 3          | D208-5   | Hammer-drive screw ... ..                       | 3 |                         |
| 4          | E4568    | Oil seal ... ..                                 | 2 |                         |
| 4          | E6387    | Oil seal (0.020 in. undersize) ... ..           | 2 | For reground crankshaft |
| 5          | E4569    | Circlip ... ..                                  | 1 |                         |
| 6          | T989     | Hollow dowel ... ..                             | 1 |                         |
| 7          | 14-6609  | Screw ... ..                                    | 3 |                         |
| 8          | 14-6608  | Screw ... ..                                    | 5 |                         |
| 9          | 14-0208  | Bolt ... ..                                     | 1 |                         |
| 10         | S25-43   | Plain washer ... ..                             | 1 |                         |
| 11         | E4707    | Rubber grommet ... ..                           | 1 |                         |
| 12         | E7680    | Pillar bolt ... ..                              | 2 |                         |
| 13         | E6559    | Plain washer ... ..                             | 2 |                         |
| 14         | E8737    | Cover ... ..                                    | 1 |                         |
| 15         | E11462   | Joint washer ... ..                             | 1 |                         |
| 16         | GS299    | Serrated washer ... ..                          | 2 |                         |
| 17         | E7354    | Screw (1/2 in. U.H.) ... ..                     | 2 |                         |
| 18         | 54419340 | AUTO ADVANCE UNIT (99-0771) ... ..              | 1 |                         |
| 19         | 54415642 | Spring set (99-0757) ... ..                     | 1 |                         |
| 20         | 54419097 | CONTACT BREAKER PLATE ASSEMBLY (99-0768) ... .. | 1 |                         |
| 21         | 54419827 | Contact set (99-0772) ... ..                    | 2 |                         |
| 22         | 54419220 | Pin, adjustment (99-0769) ... ..                | 2 |                         |
| 23         | D2133    | Oil pressure switch ... ..                      | 1 |                         |
| 24         | D2045    | Cover pressure switch ... ..                    | 1 |                         |
| Not illus. | D2138    | Timing label for C.B. cover ... ..              | 1 |                         |

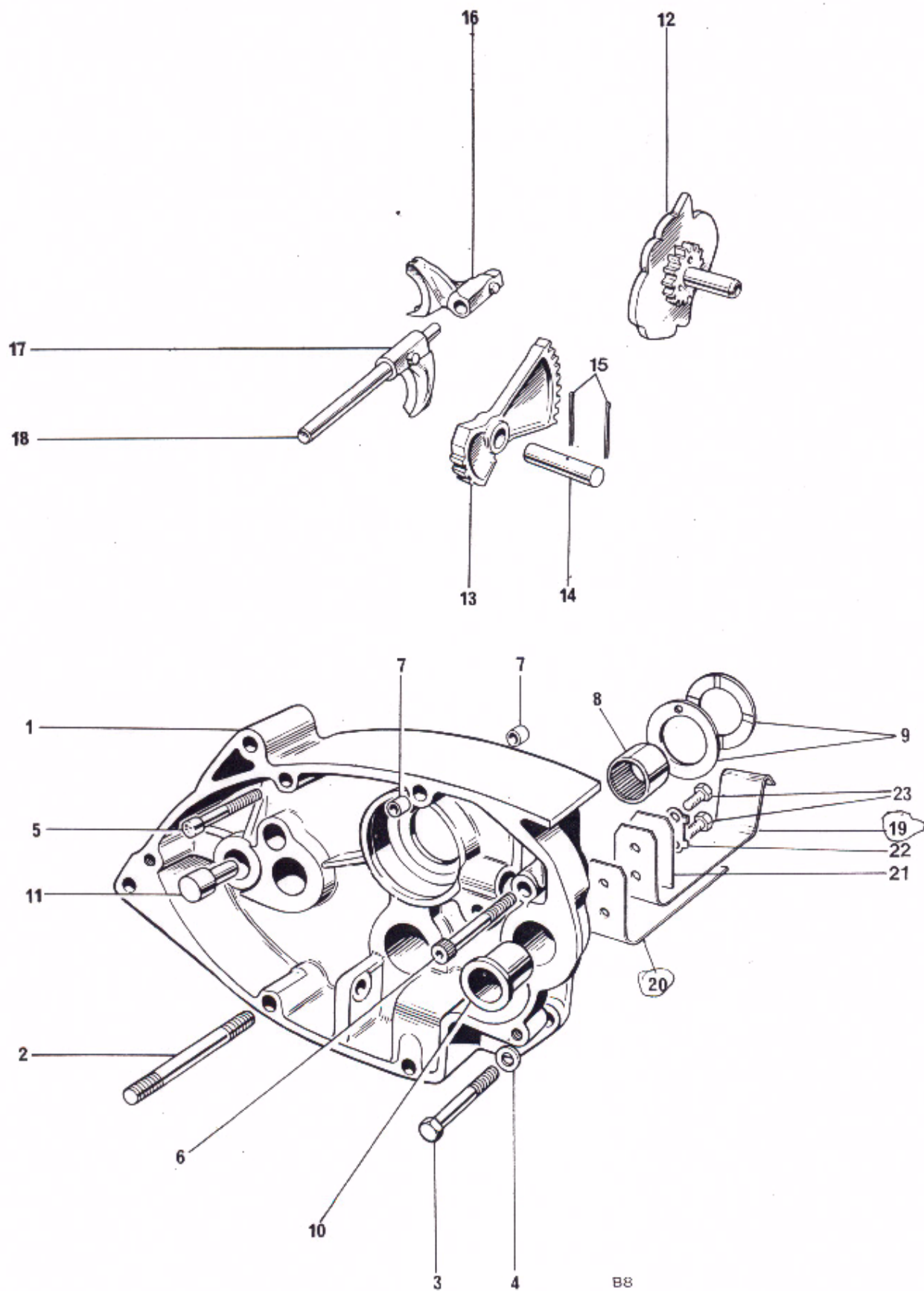
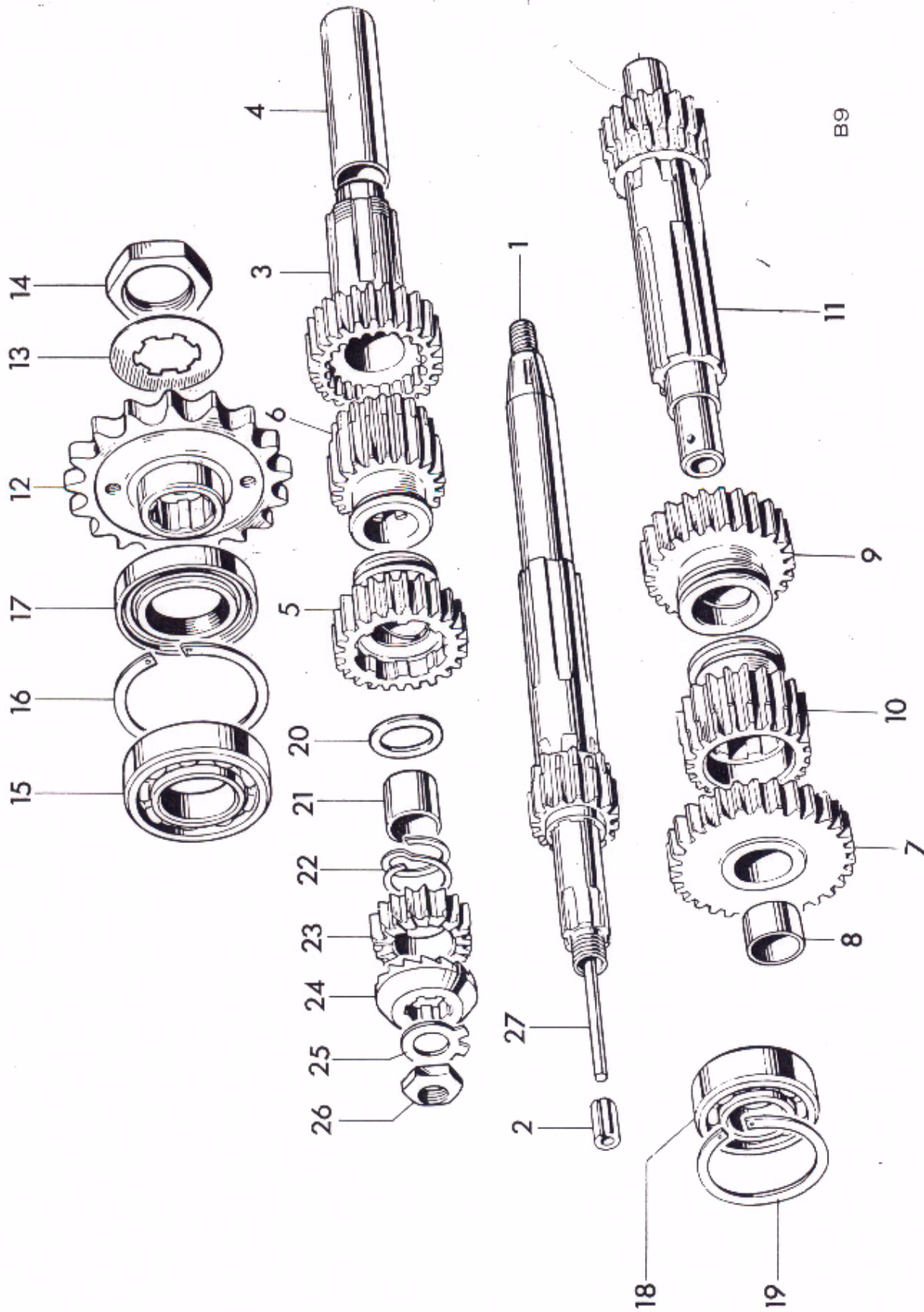


Fig. 9 GEARBOX INNER COVER AND SELECTORS

## GEARBOX INNER COVER AND SELECTORS

| Ref. No. | Part No. | Description  | Quantity | Remarks        |
|----------|----------|--|----------|----------------|
| 1        | T4293    | Gearbox inner cover                                  | 1        |                |
| 2        | 14-1427  | Stud   | 2        |                |
| 3        | S1907    | Bolt   | 1        |                |
| 4        | E3446    | Washer   | 1        |                |
| 5        | 14-6608  | Screw  | 1        |                |
| 6        | 14-7023  | Screw  | 1        |                |
| 7        | T989     | Hollow dowel   | 4        |                |
| 8        | T1614    | Layshaft bearing                                     | 1        |                |
| 9        | T1607    | Thrust washer  | 2        |                |
| 10       | T412     | Gearchange spindle bush                              | 1        |                |
| 11       | T45      | Kickstarter stop                                     | 1        |                |
| 12       | T4055    | Gear selector camplate                               | 1        |                |
| 13       | T397     | Camplate operating quadrant...                       | 1        |                |
| 14       | T1896    | Quadrant spindle                                     | 1        |                |
| 15       | —        | Split pin ( $\frac{5}{16}$ in. x $1\frac{1}{2}$ in.) | 1        | Reference only |
| 16       | T4308    | Mainshaft selector fork                              | 1        |                |
| 17       | T4307    | Layshaft selector fork                               | 1        |                |
| 18       | T3989    | Selector fork rod                                    | 1        |                |
| 19       | T4288    | Leaf spring  | 1        |                |
| 20       | T4289    | Leaf spring support                                  | 1        |                |
| 21       | T4290    | Leaf spring top plate                                | 1        |                |
| 22       | T4291    | Tab washer   | 1        |                |
| 23       | F4771    | Screw  | 2        |                |



B9

FIG. 10 GEARBOX SHAFTS AND GEARS

### GEARBOX SHAFTS AND GEARS

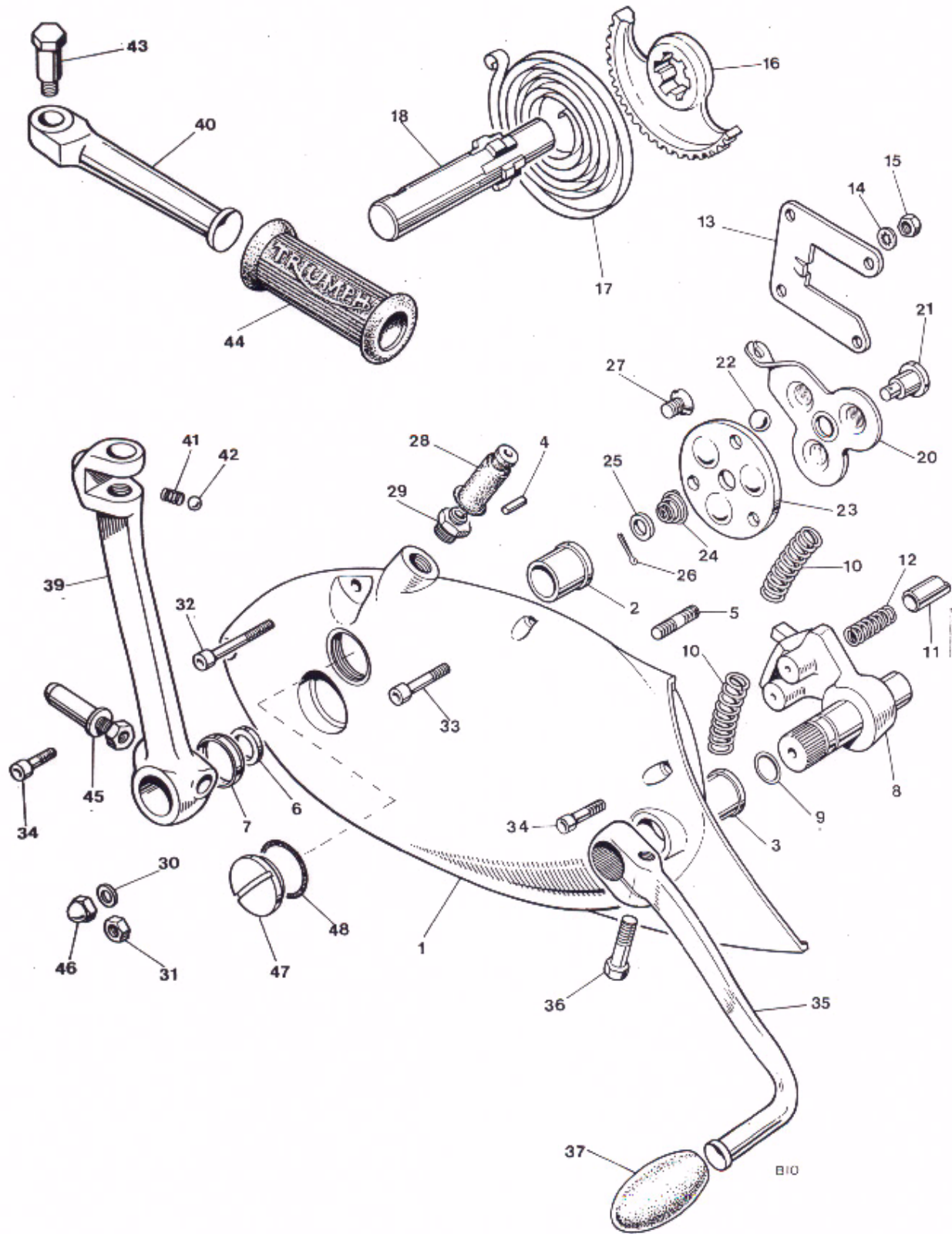
|    |       |                              |   |                                       |
|----|-------|------------------------------|---|---------------------------------------|
| 1  | T4158 | MAINSHAFT c/w LOW GEAR (16T) | 1 |                                       |
| 2  | T3988 | Clutch rod bush              | 1 |                                       |
| 3  | T4332 | MAINSHAFT HIGH GEAR (26T)    | 1 |                                       |
| 4  | T4006 | High gear bush               | 1 |                                       |
| 5  | T3889 | Mainshaft third gear (23T)   | 1 |                                       |
| 6  | T4335 | Mainshaft second gear (20T)  | 1 |                                       |
| 7  | T3862 | LAYSHAFT LOW GEAR (30T)      | 1 |                                       |
| 8  | T928  | Low gear bush                | 1 |                                       |
| 9  | T3861 | Layshaft second gear (26T)   | 1 |                                       |
| 10 | T3890 | Layshaft third gear (22T)    | 1 |                                       |
| 11 | T4345 | Layshaft c/w high gear (20T) | 1 |                                       |
| 12 | T1952 | Gearbox sprocket (15 teeth)  | 1 |                                       |
| 12 | T1953 | Gearbox sprocket (16 teeth)  | 1 |                                       |
| 12 | T1916 | Gearbox sprocket (17 teeth)  | 1 | } See pages 4 to 5 for standard sizes |
| 12 | T1917 | Gearbox sprocket (18 teeth)  | 1 |                                       |
| 12 | T1918 | Gearbox sprocket (19 teeth)  | 1 |                                       |
| 12 | T1919 | Gearbox sprocket (20 teeth)  | 1 |                                       |
| 13 | T2116 | Tab washer                   | 1 |                                       |
| 14 | T440  | Gearbox sprocket nut         | 1 |                                       |
| 15 | D3556 | High gear bearing            | 1 |                                       |
| 16 | T489  | Circlip                      | 1 |                                       |
| 17 | T946  | Oil seal                     | 1 |                                       |
| 18 | D3552 | Mainshaft bearing            | 1 |                                       |
| 19 | T4113 | Circlip                      | 1 |                                       |
| 20 | T1962 | Plain washer                 | 1 |                                       |
| 21 | T1963 | Pinion sleeve                | 1 |                                       |
| 22 | T1250 | Pinion spring                | 1 |                                       |
| 23 | T730  | Kickstarter pinion           | 1 |                                       |
| 24 | T731  | Kickstarter ratchet          | 1 |                                       |
| 25 | T2240 | Tab washer                   | 1 |                                       |
| 26 | S594  | Nut                          | 1 |                                       |
| 27 | T1736 | Clutch operating rod         | 1 |                                       |

### WIDE RATIO GEARS

|    |       |                              |   |  |
|----|-------|------------------------------|---|--|
| 3  | T3657 | MAINSHAFT HIGH GEAR (28T)    | 1 |  |
| 6  | T4161 | Mainshaft second gear (19T)  | 1 |  |
| 9  | T4160 | Layshaft second gear (27T)   | 1 |  |
| 11 | T4159 | Layshaft c/w high gear (18T) | 1 |  |

### CLOSE RATIO GEARS

|    |       |                              |   |  |
|----|-------|------------------------------|---|--|
| 1  | T4173 | MAINSHAFT c/w LOW GEAR (18T) | 1 |  |
| 3  | T4172 | MAINSHAFT HIGH GEAR (24T)    | 1 |  |
| 5  | T4169 | Mainshaft third gear (23T)   | 1 |  |
| 6  | T4167 | Mainshaft second gear (21T)  | 1 |  |
| 7  | T4163 | LAYSHAFT LOW GEAR (28T)      | 1 |  |
| 9  | T4166 | Layshaft second gear (25T)   | 1 |  |
| 10 | T4168 | Layshaft third gear (23T)    | 1 |  |
| 11 | T4162 | Layshaft c/w high gear (22T) | 1 |  |



**Fig 11. GEARBOX OUTER COVER**

### GEARBOX OUTER COVER

|    |         |   |   |                |
|----|---------|---|---|----------------|
| 1  | T3760   | GEARBOX OUTER COVER                                 | 1 |                |
| 2  | T23     | Kickstarter spindle bush                            | 1 |                |
| 3  | T57     | Gearchange spindle bush                             | 1 |                |
| 4  | T47     | Kickstarter spring anchor pin                       | 1 |                |
| 5  | S547    | Guide plate stud                                    | 4 |                |
| 6  | T1956   | Oil seal  | 1 |                |
| 7  | T1955   | Oil seal housing                                    | 1 |                |
| 8  | T408/9  | Gearchange quadrant                                 | 1 |                |
| 9  | E3309   | Rubber "O" ring                                     | 1 |                |
| 10 | T404    | Quadrant return spring                              | 2 |                |
| 11 | T406    | Gearchange quadrant plunger                         | 2 |                |
| 12 | T405    | Plunger spring                                      | 2 |                |
| 13 | T407    | Guide plate   | 1 |                |
| 14 | E1612   | Serrated washer                                     | 4 |                |
| 15 | 14-0301 | Nut   | 4 |                |
| 16 | T4117   | Kickstarter quadrant                                | 1 |                |
| 17 | T31     | Kickstarter return spring                           | 1 |                |
| 18 | T24A    | Kickstarter axle                                    | 1 |                |
| 19 | T3629   | CLUTCH LEVER ASSEMBLY                               | 1 |                |
| 20 | T2191   | Clutch lever  | 1 |                |
| 21 | T1710   | Lever shaft   | 1 |                |
| 22 | D2368   | Ball, $\frac{3}{8}$ in. diam.                       | 3 |                |
| 23 | T3761   | Thrust plate  | 1 |                |
| 24 | T1712   | Return spring                                       | 1 |                |
| 25 | GS127   | Plain washer  | 1 |                |
| 26 | —       | Split pin ( $\frac{5}{64}$ in. x $\frac{1}{2}$ in.) | 1 | Reference only |
| 27 | S1879   | Countersunk screw                                   | 2 |                |
| 28 | T1646   | Rubber cover  | 1 |                |
| 29 | T3762   | Abutment for clutch cable                           | 1 |                |
| 30 | S25-3   | Plain washer  | 2 |                |
| 31 | 14-0302 | Nut   | 1 |                |
| 32 | S1878   | Screw   | 2 |                |
| 33 | 14-6609 | Screw   | 2 |                |
| 34 | 14-6608 | Screw   | 1 |                |
| 35 | T3757   | Gearchange pedal                                    | 1 |                |
| 36 | 14-0201 | Bolt  | 1 |                |
| 37 | T2450   | Pedal rubber  | 1 |                |
| 38 | T3632   | FOLDING KICKSTARTER                                 | 1 |                |
| 39 | T2173   | Kickstarter lever                                   | 1 |                |
| 40 | T1272   | Kickstarter pedal                                   | 1 |                |
| 41 | T1167   | Pedal locating spring                               | 1 |                |
| 42 | S70-3   | Steel ball, $\frac{1}{4}$ in. diam.                 | 1 |                |
| 43 | S541    | Pedal bolt  | 1 |                |
| 44 | T2330   | Pedal rubber  | 1 |                |
| 45 | T4356   | Cotter pin c/w nut and washer                       | 1 |                |
| 46 | S544    | Domed nut   | 1 |                |
| 47 | T2166   | Filler plug   | 1 |                |
| 48 | E8782   | "O" ring  | 1 |                |

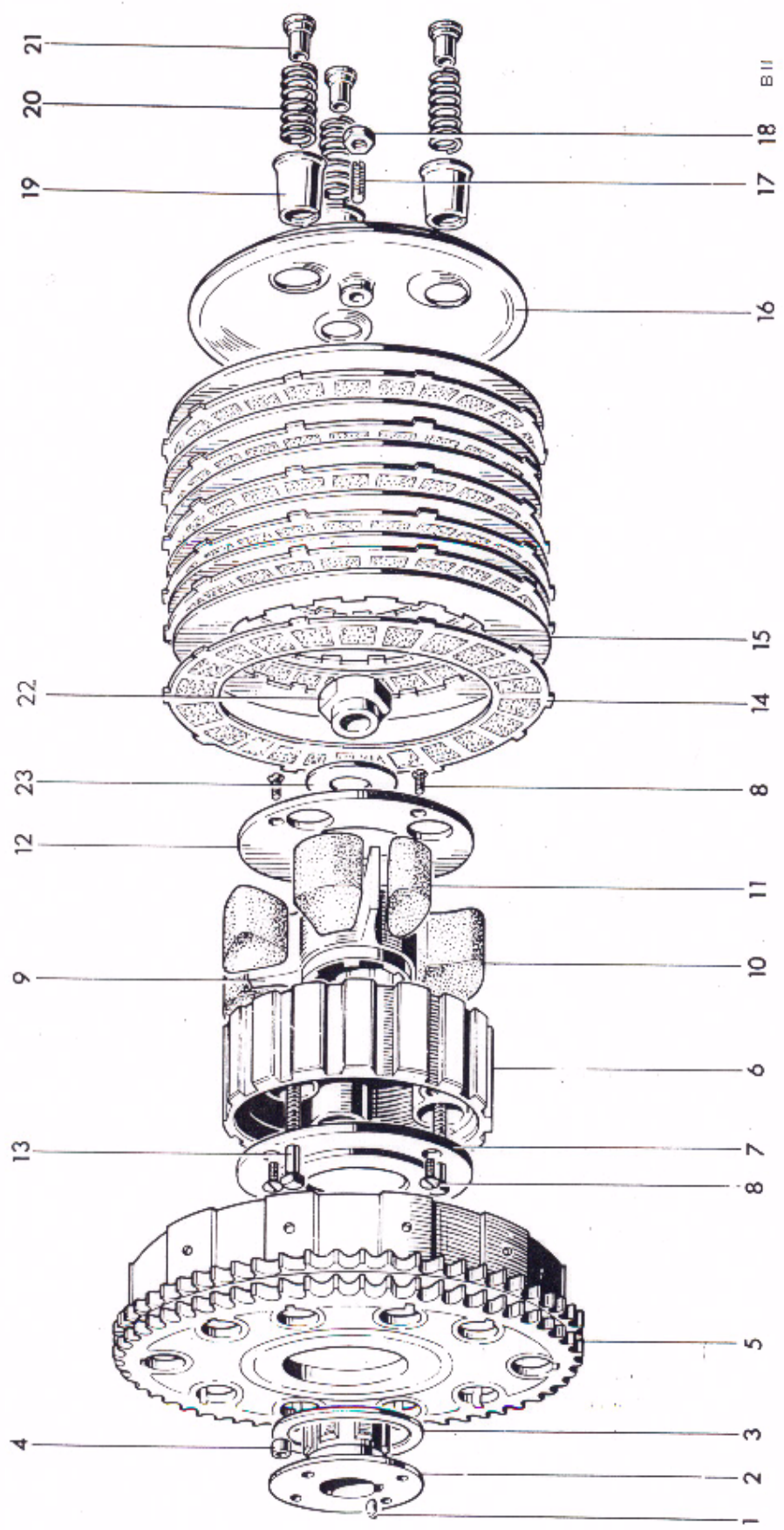


FIG. 12. CLUTCH



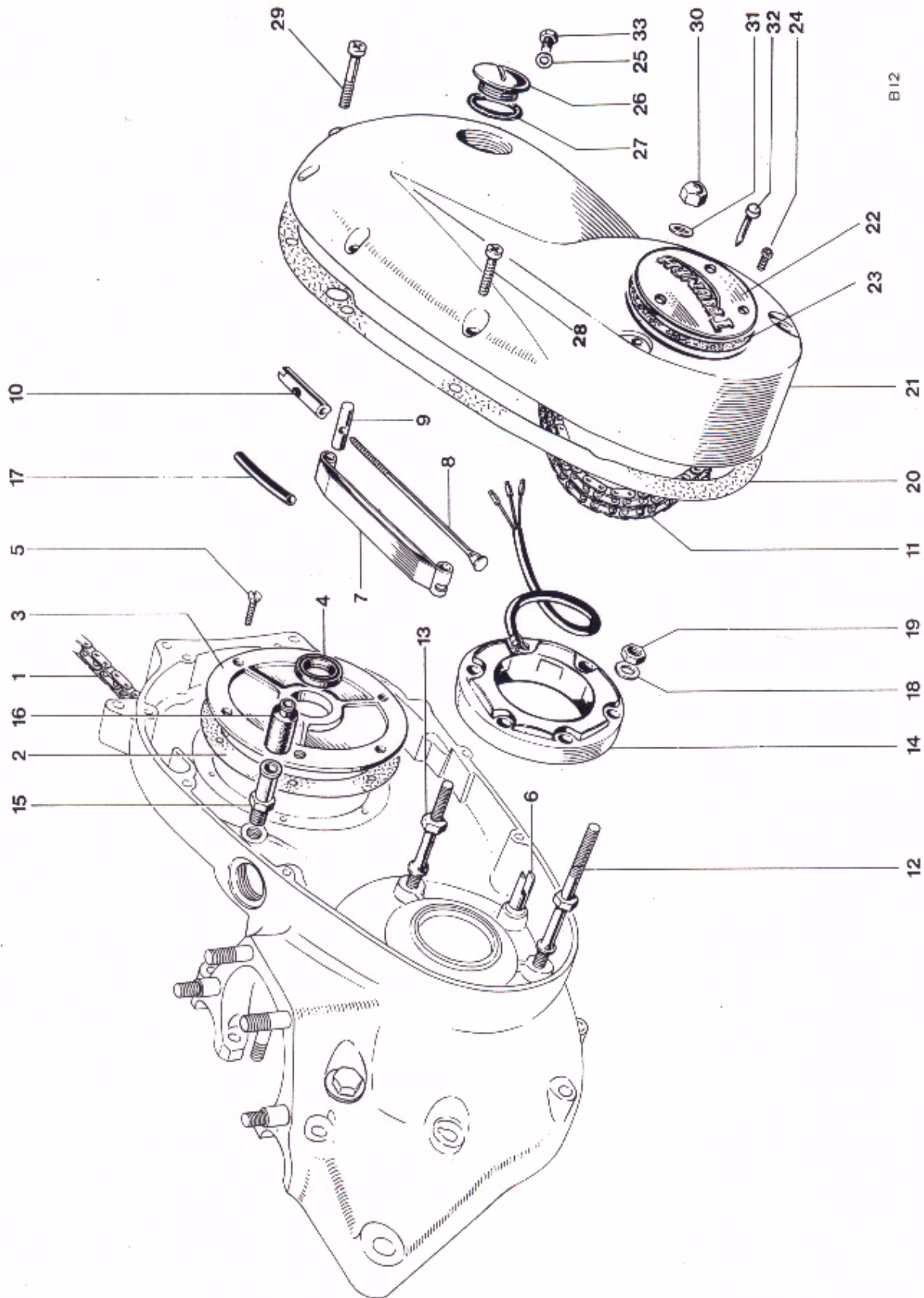
| Ref. No. | Part No. | DESCRIPTION | QUANTITY | REMARKS |
|----------|----------|-------------|----------|---------|
|----------|----------|-------------|----------|---------|

### CLUTCH

|    |         |  |     |     |     |     |     |     |     |    |
|----|---------|--|-----|-----|-----|-----|-----|-----|-----|----|
| 1  | S586    | Clutch securing nut                    | ... | ... | ... | ... | ... | ... | ... | 1  |
| 2  | T3929   | Hub                                    | ... | ... | ... | ... | ... | ... | ... | 1  |
| 3  | T3931   | Thrust washer                          | ... | ... | ... | ... | ... | ... | ... | 1  |
| 4  | T394    | Roller                                 | ... | ... | ... | ... | ... | ... | ... | 1  |
| 5  | T1570   | Sprocket and housing (58 teeth Duplex) | ... | ... | ... | ... | ... | ... | ... | 20 |
| 6  | T1719   | Centre                                 | ... | ... | ... | ... | ... | ... | ... | 1  |
| 7  | T1720   | Inner plate                            | ... | ... | ... | ... | ... | ... | ... | 1  |
| 8  | T1040   | Countersunk screw                      | ... | ... | ... | ... | ... | ... | ... | 1  |
| 9  | T2538   | Shock absorber spider                  | ... | ... | ... | ... | ... | ... | ... | 6  |
| 10 | T1722   | Drive rubber (large)                   | ... | ... | ... | ... | ... | ... | ... | 1  |
| 11 | T1723   | Rebound rubber (small)                 | ... | ... | ... | ... | ... | ... | ... | 3  |
| 12 | T1724   | Outer plate                            | ... | ... | ... | ... | ... | ... | ... | 3  |
| 13 | T423A   | Screwed pin                            | ... | ... | ... | ... | ... | ... | ... | 1  |
| 14 | T1362   | Driving plate (bonded)                 | ... | ... | ... | ... | ... | ... | ... | 3  |
| 15 | T1363   | Driven plate                           | ... | ... | ... | ... | ... | ... | ... | 6  |
| 16 | T2156   | Pressure plate                         | ... | ... | ... | ... | ... | ... | ... | 6  |
| 17 | T2159   | Adjuster pin                           | ... | ... | ... | ... | ... | ... | ... | 1  |
| 18 | 14-0403 | Nut                                    | ... | ... | ... | ... | ... | ... | ... | 1  |
| 19 | T1931   | Spring cup                             | ... | ... | ... | ... | ... | ... | ... | 1  |
| 20 | T1830   | Spring                                 | ... | ... | ... | ... | ... | ... | ... | 3  |
| 21 | T2526   | Pressure nut                           | ... | ... | ... | ... | ... | ... | ... | 3  |
| 22 | S66-1   | Key                                    | ... | ... | ... | ... | ... | ... | ... | 3  |
| 23 | T2279   | Cupped washer                          | ... | ... | ... | ... | ... | ... | ... | 1  |

#### LATER MODELS USE THE FOLLOWING:—

|    |       |                              |     |     |     |     |     |     |     |   |
|----|-------|------------------------------|-----|-----|-----|-----|-----|-----|-----|---|
| 6  | T4438 | Centre (shock absorber body) | ... | ... | ... | ... | ... | ... | ... | 1 |
| 7  | T4436 | Inner plate                  | ... | ... | ... | ... | ... | ... | ... | 1 |
| 8  | S644  | Bolt                         | ... | ... | ... | ... | ... | ... | ... | 3 |
| 12 | T4437 | Outer plate                  | ... | ... | ... | ... | ... | ... | ... | 1 |



B12

Fig. 13. CHAINCASE AND CHAINS

**CHAINCASE AND CHAINS**

|    |         |   |   |                                    |
|----|---------|---|---|------------------------------------|
| 1  | D1915   | Rear chain, $\frac{5}{8}$ in. x $\frac{3}{8}$ in. x 106 links ... | 1 |                                    |
| 2  | E11419  | Joint washer ...  | 1 |                                    |
| 3  | E7037   | Cover plate ...   | 1 |                                    |
| 4  | E7565   | Oil seal ...  | 1 |                                    |
| 5  | E3821   | Countersunk screw ...   | 6 |                                    |
| 6  | E5976   | Chain tensioner abutment ...                                      | 1 | (also listed with crankcase group) |
| 7  | E6061   | Chain tensioner blade ...   | 1 |                                    |
| 8  | E4152   | Tie rod ...   | 1 |                                    |
| 9  | E5977   | Trunnion ...  | 1 |                                    |
| 10 | E9703   | Adjuster sleeve nut ...   | 1 |                                    |
| 11 | D477    | Primary chain, $\frac{3}{8}$ in. Duplex x 84 links ...            | 1 |                                    |
| 12 | S1866   | Stator stud ...   | 2 |                                    |
| 13 | S1867   | Stator stud ...   | 1 |                                    |
| 14 | 47205   | Stator, RM21 (99-1006) ...  | 1 |                                    |
| 15 | E9360   | Sleeve nut ...  | 1 |                                    |
| 16 | E4144   | Rubber grommet ...  | 1 |                                    |
| 17 | E5449   | Plastic sleeve ...  | 1 |                                    |
| 18 | S25-3   | Plain washer ...  | 3 |                                    |
| 19 | 14-0702 | Self-locking nut ...  | 3 |                                    |
| 20 | E11463  | Joint washer ...  | 1 |                                    |
| 21 | E9245   | Chaincase ...   | 1 |                                    |
| 22 | T2440   | Rotor cover ...   | 1 |                                    |
| 23 | E11457  | Joint washer ...  | 1 |                                    |
| 24 | F4129   | Screw ...   | 3 |                                    |
| 25 | E2441   | Copper washer ...   | 1 |                                    |
| 26 | T2166   | Filler plug ...   | 1 |                                    |
| 27 | E8782   | "O" ring ...  | 1 |                                    |
| 28 | 14-6608 | Screw ...   | 6 |                                    |
| 29 | 14-6620 | Screw ...   | 2 |                                    |
| 30 | S544    | Domed nut ...   | 2 |                                    |
| 31 | F1880   | Copper washer ...   | 2 |                                    |
| 32 | T2443   | Timing pointer ...  | 1 |                                    |
| 33 | 14-6101 | Level plug ...  | 1 |                                    |

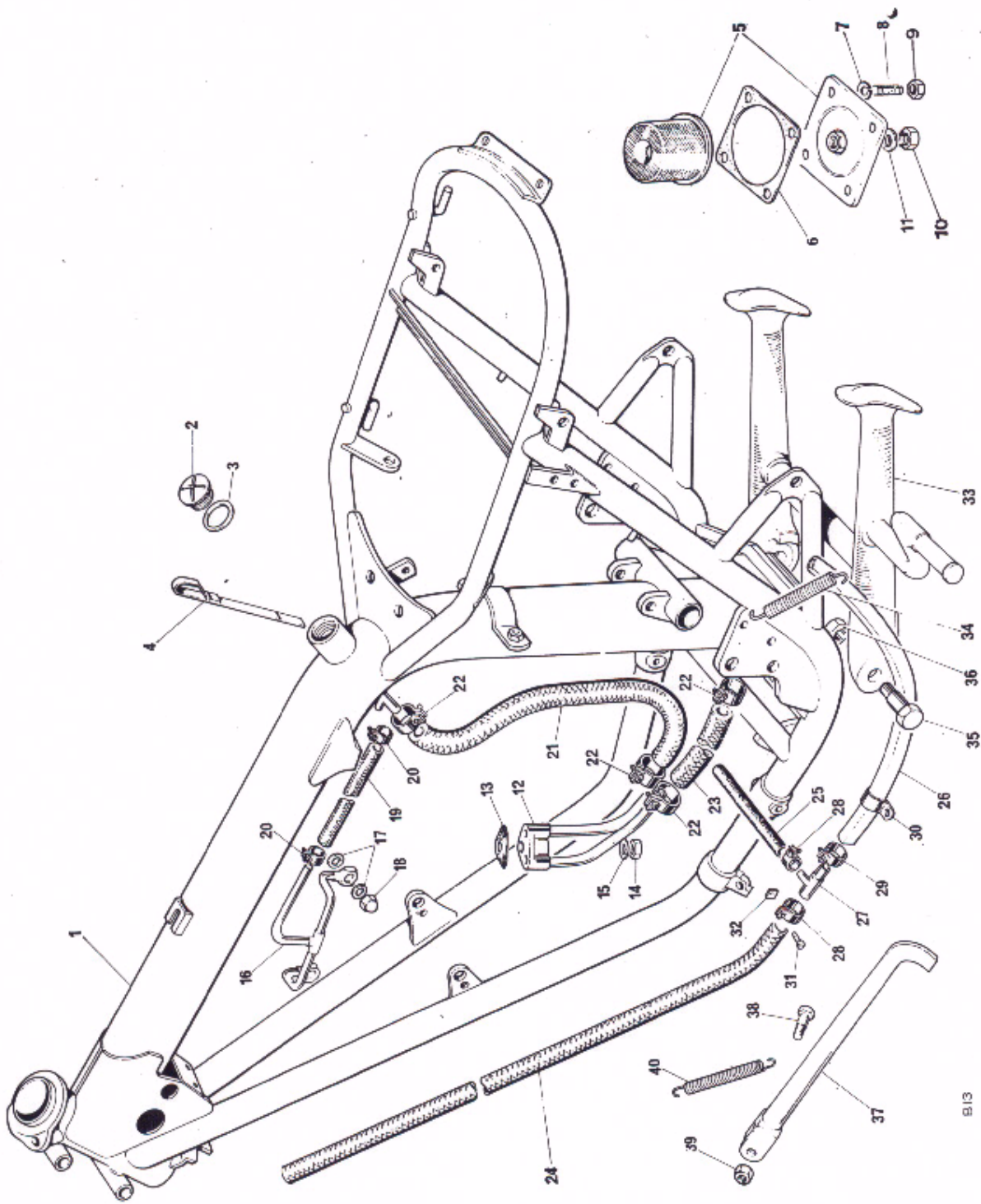


FIG. 14. FRAME

813

**FRAME**

|            |         |                                      |   |                               |
|------------|---------|--------------------------------------|---|-------------------------------|
| 1          | F12089  | Frame ... ..                         | 1 |                               |
| 2          | E12744  | Oil filler cap ... ..                | 1 |                               |
| 3          | D3616   | "O" ring ... ..                      | 1 |                               |
| 4          | F13142  | Dipstick ... ..                      | 1 |                               |
| 5          | F12826  | *Oil filter and sump plate ... ..    | 1 |                               |
| 6          | F12829  | *Gasket ... ..                       | 1 |                               |
| 7          | D2330   | Washer ... ..                        | 4 | } Sump plate to frame         |
| 8          | S2109   | Stud ... ..                          | 4 |                               |
| 9          | 14-1302 | Nut ... ..                           | 4 |                               |
| 10         | S1945   | *Drain plug ... ..                   | 1 |                               |
| 11         | E12505  | Joint washer ... ..                  | 1 |                               |
| 12         | E6930   | Oil junction block ... ..            | 1 |                               |
| 13         | E11458  | Joint washer ... ..                  | 1 |                               |
| 14         | S1908   | Nut ... ..                           | 1 | } Junction block to crankcase |
| 15         | E3446   | Washer ... ..                        |   |                               |
| 16         | E12428  | Rocker oil pipe ... ..               | 1 |                               |
| 17         | E1335   | Washer ... ..                        | 4 |                               |
| 18         | E1435   | Nut ... ..                           | 4 |                               |
| 19         | E12337  | Rocker feed pipe ... ..              | 1 |                               |
| 20         | E8111   | Clip—rocker feed pipe ... ..         | 2 |                               |
| 21         | E12345  | Oil return pipe ... ..               | 1 |                               |
| 22         | E6848   | Clip—feed and return pipes ... ..    | 4 |                               |
| 23         | E12347  | Oil feed pipe ... ..                 | 1 |                               |
| 24         | E12349  | Oil vent pipe ... ..                 | 1 |                               |
| 25         | E11149  | Crankcase breather pipe—front ... .. | 1 |                               |
| 26         | F11614  | Crankcase breather pipe—rear ... ..  | 1 |                               |
| 27         | F11610  | "T" piece ... ..                     | 1 |                               |
| 28         | D2253   | Clip—breather pipe—front ... ..      | 2 |                               |
| 29         | D2252   | Clip—breather pipe—rear ... ..       | 1 |                               |
| 30         | F11615  | Clip—breather pipe to fender ... ..  | 4 |                               |
| 31         | H3894   | Screw ... ..                         | 4 |                               |
| 32         | F4717   | Nut ... ..                           | 4 |                               |
| 33         | F12627  | Centre stand ... ..                  | 1 |                               |
| 34         | F13793  | Spring ... ..                        | 1 |                               |
| 35         | S2077   | Pivot bolt ... ..                    | 2 |                               |
| 36         | 14-1304 | Nut ... ..                           | 2 |                               |
| 37         | F11560  | Prop stand ... ..                    | 1 |                               |
| 38         | F7021   | Bolt ... ..                          | 1 |                               |
| 39         | 14-1303 | Nut ... ..                           | 1 |                               |
| 40         | F8382   | Spring ... ..                        | 1 |                               |
| Not illus. | D3361   | Transfer "Made in England" ... ..    | 1 |                               |
| Not illus. | D2452   | Transfer—Safety Standards ... ..     | 1 |                               |
| Not illus. | 14-0114 | Bolt ... ..                          | 1 | } Prop stand stop             |
| Not illus. | 14-0402 | Nut ... ..                           |   |                               |

\* LATER MODELS USE THE FOLLOWING:—

|         |                            |   |
|---------|----------------------------|---|
| F13642  | Oil filter assembly ... .. | 1 |
| F12829  | Gasket ... ..              | 2 |
| 14-0113 | Drain plug ... ..          | 1 |
| F13643  | Sump plate ... ..          | 1 |

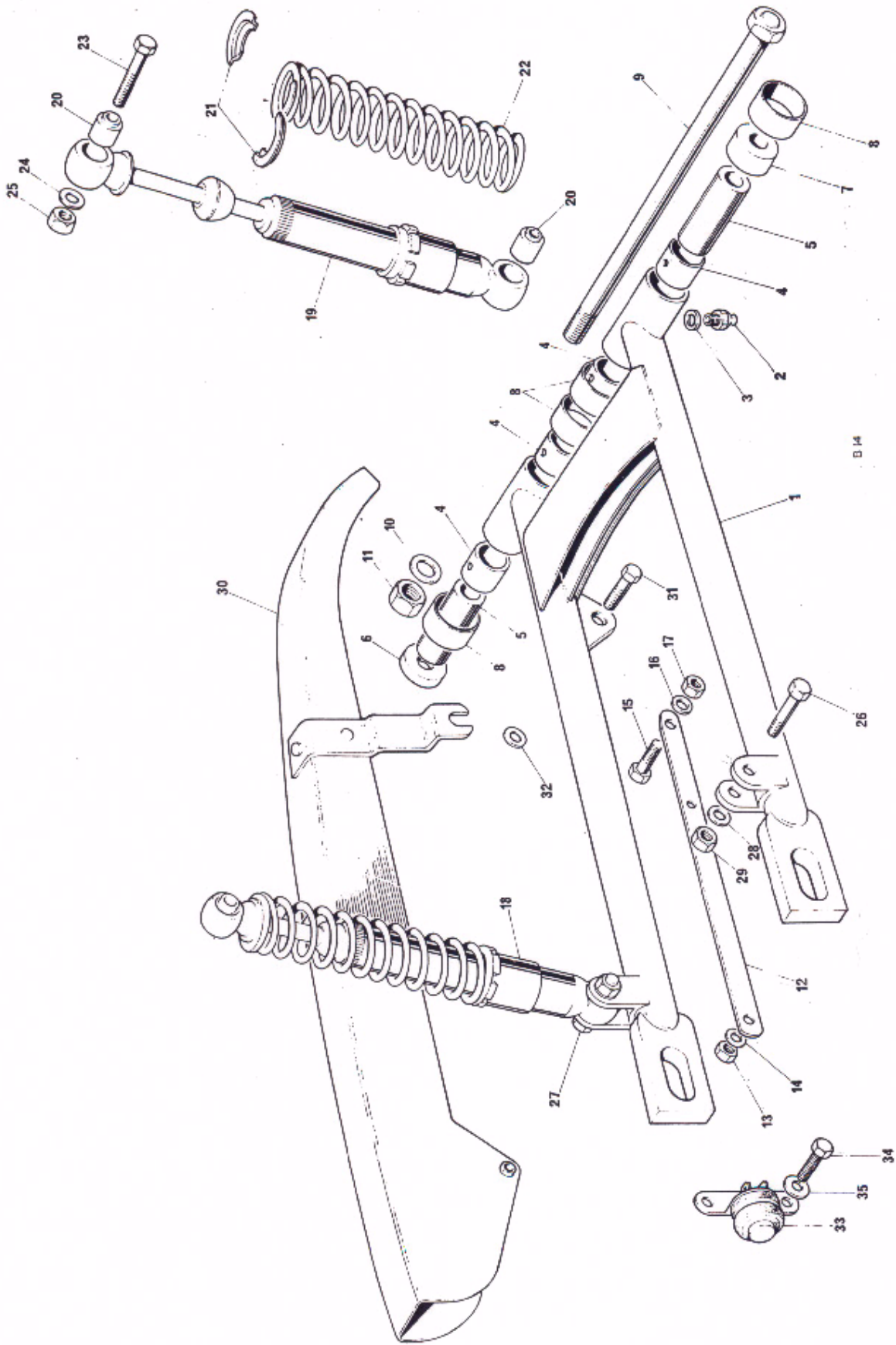


Fig. 15. SWINGING FORK AND SUSPENSION UNITS

**SWINGING ARM AND SUSPENSION UNITS**

|    |          |  |   |                |
|----|----------|--|---|----------------|
| 1  | F12513   | SWINGING ARM ... ..                        | 1 |                |
| 2  | D1841    | Grease nipple ... ..                       | 2 |                |
| 3  | WE170    | Washer, grease nipple ... ..               | 2 |                |
| 4  | F12521   | Bush, pivot arm ... ..                     | 4 |                |
| 5  | F12691   | Sleeve, swinging arm pivot ... ..          | 2 |                |
| 6  | F12690   | Distance piece R.H. ... ..                 | 1 |                |
| 7  | F12689   | Distance piece L.H. ... ..                 | 1 |                |
| 8  | F12692   | Dirt excluder ... ..                       | 4 |                |
| 9  | S2087    | Stud, swinging arm pivot ... ..            | 1 |                |
| 10 | F12266   | Washer, swinging arm pivot ... ..          | 2 |                |
| 11 | 14-1307  | Nut, swinging arm pivot ... ..             | 1 |                |
| 12 | F12656   | Brake torque stay ... ..                   | 1 |                |
| 13 | 14-1304  | Nut, torque stay to brake plate ... ..     | 1 |                |
| 14 | D2350    | Washer, torque stay to brake plate ... ..  | 1 |                |
| 15 | 14-0133  | Bolt, torque stay to swinging arm ... ..   | 1 |                |
| 16 | W2330    | Washer, torque stay to swinging arm ... .. | 1 |                |
| 17 | 14-1304  | Nut, torque stay to swinging arm ... ..    | 1 |                |
| 18 | 64052341 | SUSPENSION UNIT (D2294) ... ..             | 2 |                |
| 19 | 64052090 | Damper unit ... ..                         |   | Reference only |
| 20 | 64533645 | Bonded bush (99-0122) ... ..               | 4 |                |
| 21 | 9054/171 | Spring retainer (99-0107) ... ..           | 4 |                |
| 22 | 64544754 | Spring, 110 lbs. chrome (99-1139) ... ..   | 2 |                |
| 23 | 14-0235  | Bolt, damper—top ... ..                    | 2 | (1 off TR6C)   |
| 23 | S1997    | Stud, damper—top L.H. ... ..               | 1 | (TR6C)         |
| 24 | D2332    | Washer, damper—top ... ..                  | 2 | (3 off TR6C)   |
| 25 | 14-1303  | Nut, damper—top ... ..                     | 2 | (3 off TR6C)   |
| 26 | 14-0234  | Bolt, damper, lower—L.H. ... ..            | 1 |                |
| 27 | 14-2034  | Bolt, damper, lower—R.H. ... ..            | 1 |                |
| 28 | D2321    | Washer damper lower ... ..                 | 2 |                |
| 29 | 14-1303  | Nut damper lower ... ..                    | 2 |                |
| 30 | F12641   | Chainguard ... ..                          | 1 |                |
| 31 | 14-0206  | Bolt, chainguard fixing—front ... ..       | 1 |                |
| 32 | D2347    | Washer, chainguard fixing—front ... ..     | 1 |                |
| 33 | 34815    | Stop lamp switch—118SA (99-1028) ... ..    | 1 |                |
| 34 | D3550    | Screw ... ..                               | 2 |                |
| 35 | H1388    | Washer ... ..                              | 2 |                |

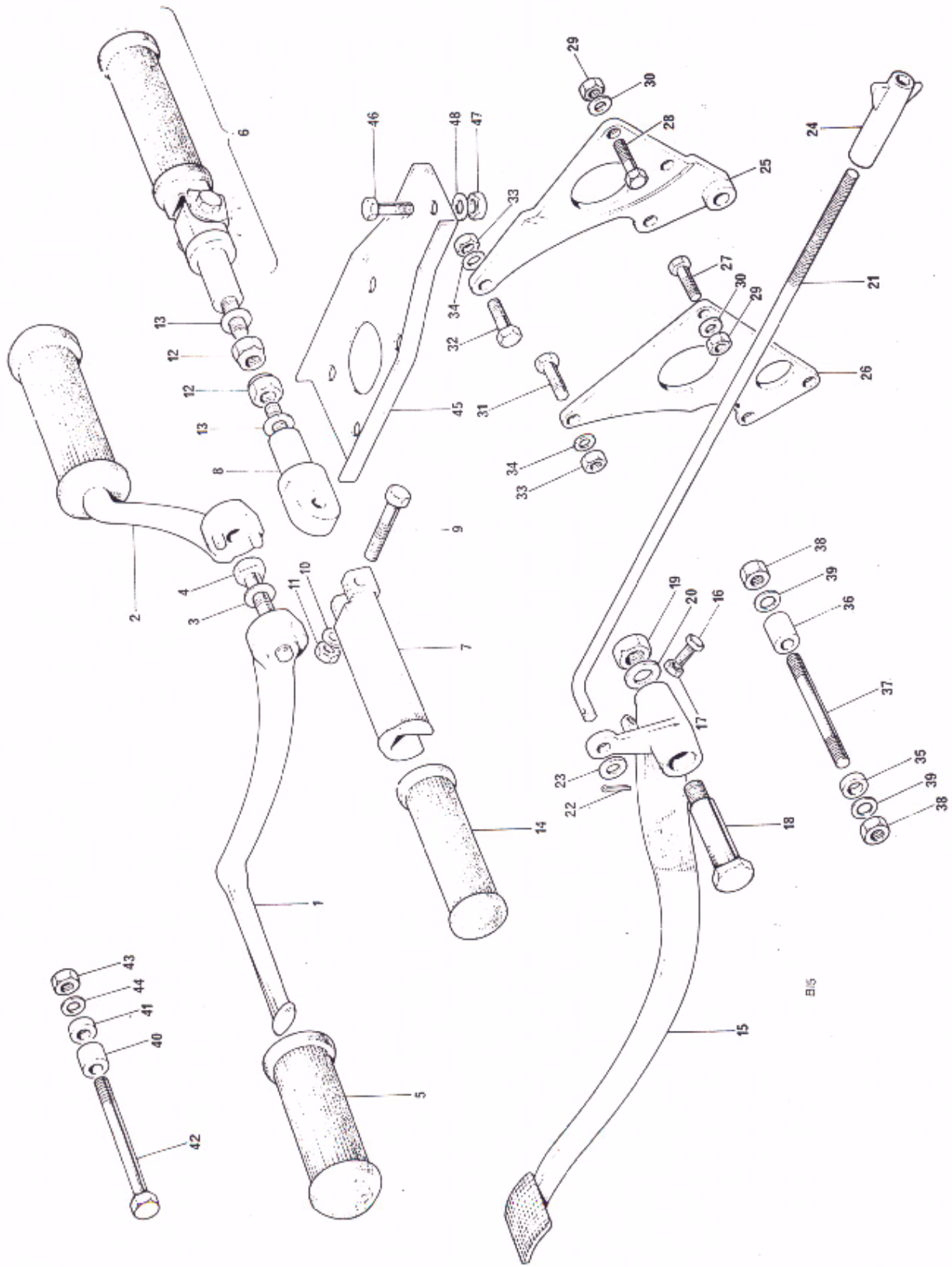
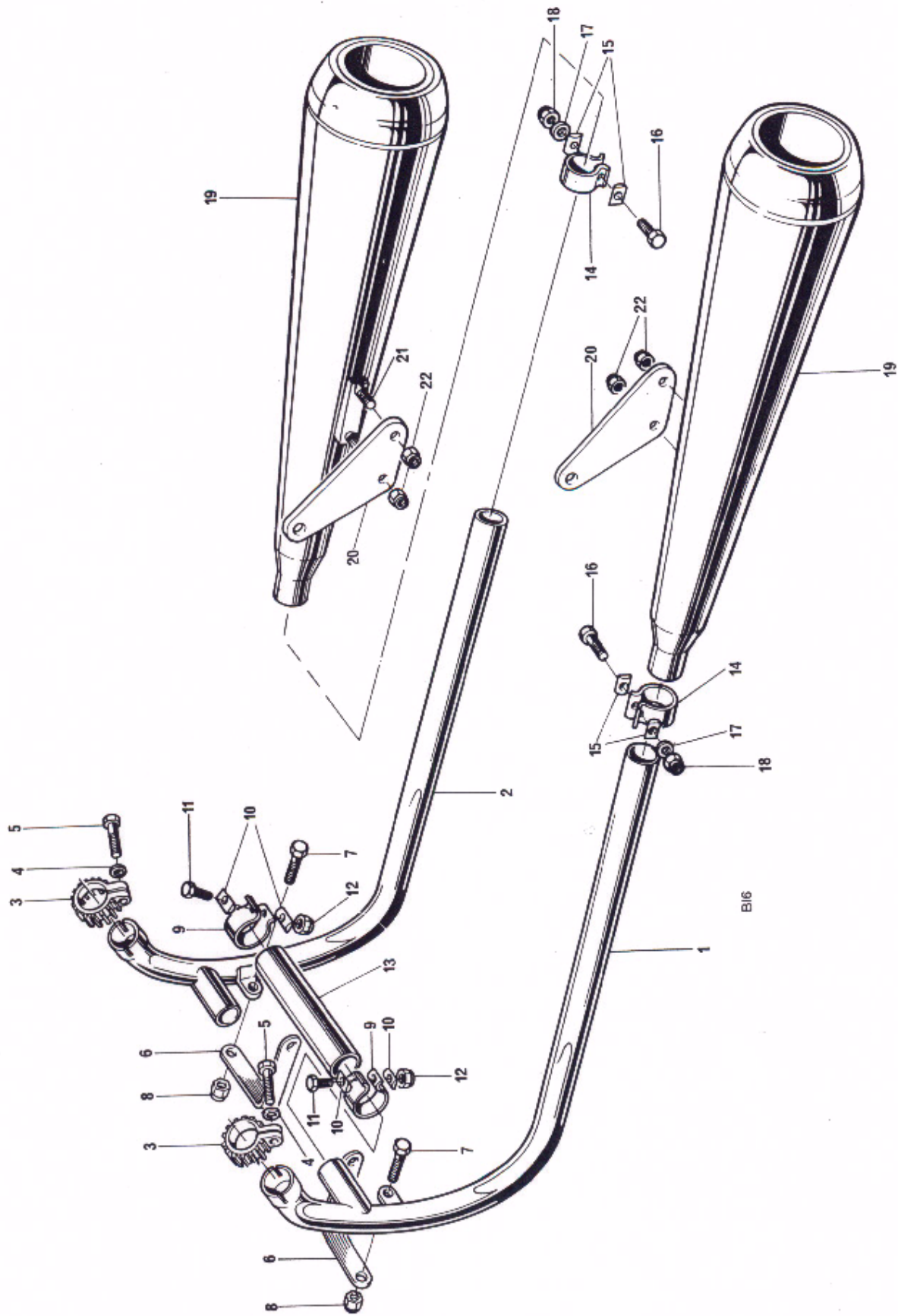


Fig. 16. MOTOR UNIT FITTING AND FOOTRESTS



**MOTOR UNIT FITTINGS AND FOOTRESTS**

| Ref. No. | Part No. | Description   | Quantity | Remarks                      |
|----------|----------|---|----------|------------------------------|
| 1        | F12855   | Footrest—L.H. ...                                       | 1        |                              |
| 2        | F12854   | Footrest—R.H. ...                                       | 1        |                              |
| 3        | 14-0259  | Bolt ...  | 2        |                              |
| 4        | D2333    | Washer ...  | 2        |                              |
| 5        | F9279    | Footrest rubber ...                                     | 2        |                              |
| 6        | F12841   | PILLION FOOTREST ...                                    | 2        |                              |
| 7        | F9053    | Pedal ...   | 1        |                              |
| 8        | F13207   | Hanger bolt ...   | 1        |                              |
| 9        | 14-0217  | Bolt ...  | 1        |                              |
| 10       | F9089    | Washer ...  | 1        | Footrest swivel              |
| 11       | 14-1302  | Nut ...   | 1        |                              |
| 12       | 14-1303  | Nut ...   | 1        | Footrest to frame            |
| 13       | F2184    | Washer ...  | 1        |                              |
| 14       | 82-F9054 | Footrest rubber ...                                     | 1        |                              |
| 15       | F12666   | Rear brake pedal ...                                    | 1        |                              |
| 16       | 14-0103  | Screw ...   | 1        | Stop light adjustment        |
| 17       | 14-0301  | Nut ...   | 1        |                              |
| 18       | S2045    | Pivot pin ...   | 1        |                              |
| 19       | 14-1303  | Nut ...   | 1        |                              |
| 20       | E8084    | Washer ...  | 1        |                              |
| 21       | F12860   | Rear brake operating rod ...                            | 1        |                              |
| 22       | —        | Split pin ( $\frac{1}{16}$ in. x $\frac{3}{8}$ in.) ... | 1        | Reference only               |
| 23       | D2393    | Washer ...  | 1        |                              |
| 24       | F7387    | Adjuster nut—brake rod ...                              | 2        |                              |
| 25       | F13024   | Rear motor plate R.H. ...                               | 1        |                              |
| 26       | F13023   | Rear motor plate—L.H. ...                               | 1        |                              |
| 27       | 14-0115  | Bolt ...  | 5        | Rear motor plates to frame   |
| 28       | 14-0116  | Bolt ...  | 1        |                              |
| 29       | 14-1302  | Nut ...   | 6        |                              |
| 30       | D2330    | Washer ...  | 6        |                              |
| 31       | 14-0220  | Bolt ...  | 2        | Motor to motor plates        |
| 32       | 14-0221  | Bolt ...  | 2        |                              |
| 33       | 14-1302  | Nut ...   | 4        |                              |
| 34       | D2321    | Washer ...  | 4        |                              |
| 35       | F12846   | Distance piece—L.H. ...                                 | 1        | Motor to frame centre bottom |
| 36       | F12847   | Distance piece—R.H. ...                                 | 1        |                              |
| 37       | S2112    | Stud ...  | 1        |                              |
| 38       | 14-0304  | Nut ...   | 2        |                              |
| 39       | D2332    | Washer ...  | 2        |                              |
| 40       | F12848   | Distance piece—L.H. ...                                 | 1        | Motor fixing front           |
| 41       | F12849   | Distance piece—R.H. ...                                 | 1        |                              |
| 42       | 14-0254  | Bolt ...  | 1        |                              |
| 43       | 14-1304  | Nut ...   | 1        |                              |
| 44       | D2332    | Washer ...  | 1        |                              |
| 45       | F13537   | Steady bracket motor to frame ...                       | 1        |                              |
| 46       | 14-0126  | Bolt ...  | 1        | Bracket to frame             |
| 47       | 14-1303  | Nut ...   | 1        |                              |
| 48       | D2321    | Washer ...  | 1        |                              |



B16

Fig. 17. EXHAUST PIPES AND MUFFLERS

**EXHAUST PIPES AND MUFFLERS, TR6R, T120R**

|    |         |                                     |     |                                |     |     |     |   |
|----|---------|-------------------------------------|-----|--------------------------------|-----|-----|-----|---|
| 1  | E12753  | Exhaust pipe—L.H.                   | ... | ...                            | ... | ... | ... | 1 |
| 2  | E12756  | Exhaust pipe—R.H.                   | ... | ...                            | ... | ... | ... | 1 |
| 3  | E10216  | Finned clip                         | }   | Exhaust pipes to cylinder head | ... | ... | ... | 2 |
| 4  | E8860   | Spherical washer                    |     |                                | ... | ... | ... | 2 |
| 5  | E6744   | Bolt                                |     |                                | ... | ... | ... | 2 |
| 6  | E6857   | Exhaust pipe stay                   | ... | ...                            | ... | ... | 2   |   |
| 7  | E6179   | Screw                               | ... | ...                            | ... | ... | 2   |   |
| 8  | E7471   | Nut                                 | ... | ...                            | ... | ... | 2   |   |
| 9  | E7512   | Clip                                | }   | Exhaust pipes to coupling pipe | ... | ... | ... | 2 |
| 10 | E3768   | "D" washer                          |     |                                | ... | ... | ... | 4 |
| 11 | 14-0217 | Bolt                                |     |                                | ... | ... | ... | 2 |
| 12 | 14-1202 | Nut                                 | ... | ...                            | ... | 2   |     |   |
| 13 | E9888   | Coupling pipe                       | ... | ...                            | ... | ... | 1   |   |
| 14 | E2271   | Clip                                | }   | Exhaust pipes to mufflers      | ... | ... | ... | 2 |
| 15 | E3768   | "D" washer                          |     |                                | ... | ... | ... | 4 |
| 16 | 14-0219 | Bolt                                |     |                                | ... | ... | ... | 2 |
| 17 | S25-3   | Washer                              | ... | ...                            | ... | ... | 2   |   |
| 18 | 14-1302 | Nut                                 | ... | ...                            | ... | ... | 2   |   |
| 19 | E12382  | Muffler                             | ... | ...                            | ... | ... | 2   |   |
| 20 | E12282  | Hanger—muffler and pillion footrest | ... | ...                            | ... | ... | 2   |   |
| 21 | 14-0101 | Bolt                                | }   | Muffler to hanger              | ... | ... | ... | 4 |
| 22 | 14-1301 | Nut                                 |     |                                | ... | ... | ... | 4 |

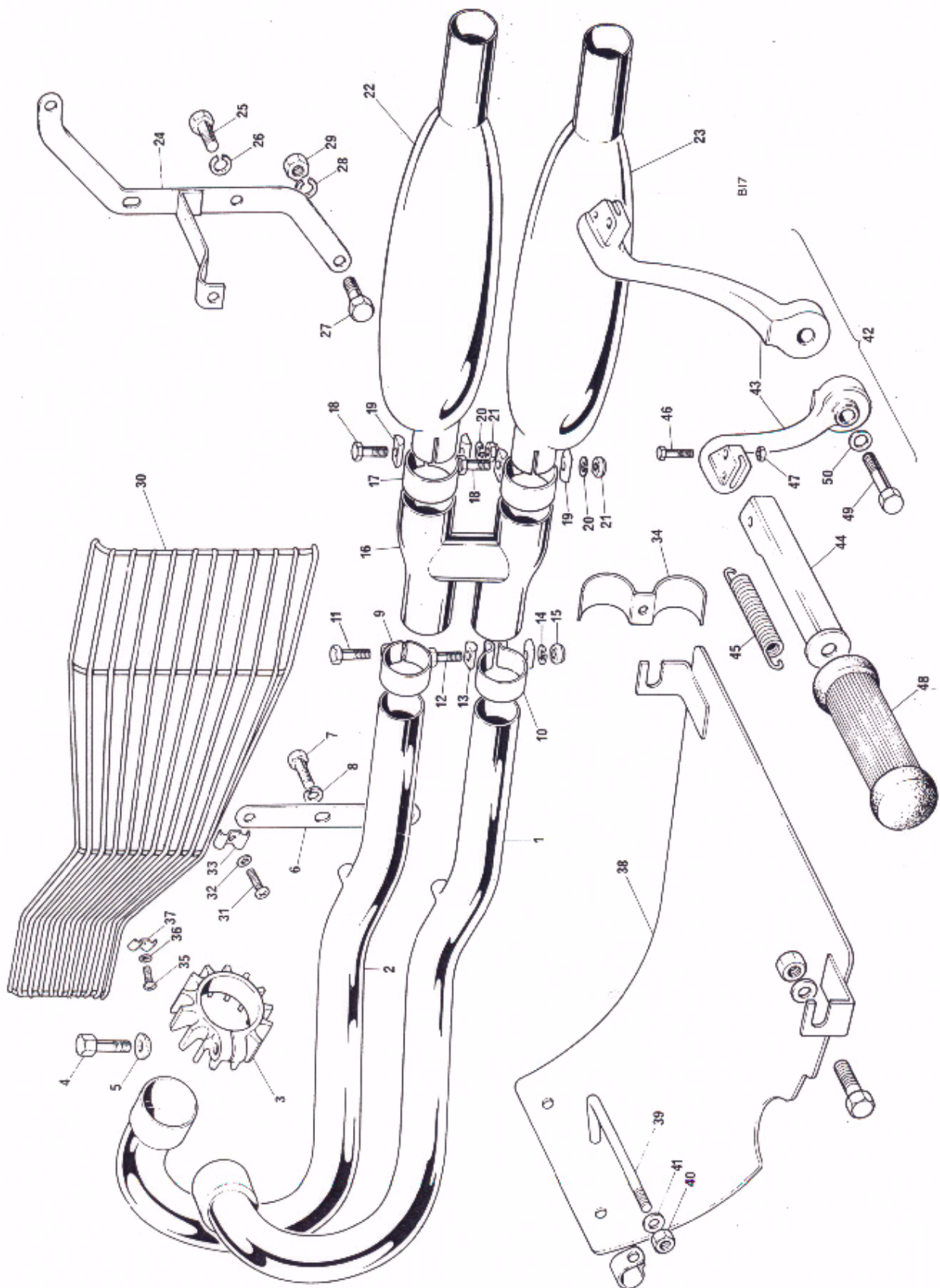


Fig. 18. EXHAUST PIPES AND MUFFLERS, TR6C

**EXHAUST PIPES, MUFFLERS AND FOLDING FOOTRESTS, TR6C**

| Ref. No. | Part No. | Description              | Quantity | Remarks                       |
|----------|----------|--------------------------|----------|-------------------------------|
| 1        | E11900   | Exhaust pipe—lower       | 1        |                               |
| 2        | E11901   | Exhaust pipe—upper       | 1        |                               |
| 3        | E10216   | Finned clip              | 2        | Exhaust pipe to cylinder head |
| 4        | E6744    | Bolt                     | 2        |                               |
| 5        | E8860    | Spherical washer         | 2        |                               |
| 6        | E6978    | Exhaust pipe stay        | 1        |                               |
| 7        | 14-0113  | Bolt                     | 3        |                               |
| 8        | S26-3    | Spring washer            | 3        |                               |
| 9        | E7299    | Clip—upper               | 1        | Exhaust pipes to connector    |
| 10       | E5874    | Clip—lower               | 1        |                               |
| 11       | 14-0116  | Bolt                     | 1        |                               |
| 12       | 14-0219  | Bolt                     | 1        |                               |
| 13       | E3768    | "D" washer               | 2        |                               |
| 14       | S26-3    | Spring washer            | 1        |                               |
| 15       | 14-1202  | Nut                      | 1        |                               |
| 16       | E9673    | Connector                | 1        |                               |
| 17       | E2271    | Clip                     | 2        | Connector to mufflers         |
| 18       | 14-0219  | Bolt                     | 2        |                               |
| 19       | E3768    | "D" washer               | 4        |                               |
| 20       | S26-3    | Spring washer            | 2        |                               |
| 21       | 14-1302  | Nut                      | 2        |                               |
| 22       | E12019   | Muffler—upper            | 1        |                               |
| 23       | E12020   | Muffler—lower            | 1        |                               |
| 24       | E12511   | Muffler—hanger           | 1        |                               |
| 25       | S1822    | Bolt                     | 2        | Mufflers to hanger            |
| 26       | S26-3    | Spring washer            | 2        |                               |
| 27       | 14-0115  | Bolt                     | 1        | Hanger to frame               |
| 28       | S26-3    | Spring washer            | 1        |                               |
| 29       | S1933    | Spacer nut               | 1        |                               |
| 30       | E9680    | Leg guard                | 1        |                               |
| 31       | S1953    | Screw                    | 1        | Leg guard attachment front    |
| 32       | E9857    | Washer                   | 1        |                               |
| 33       | E9688    | Clip                     | 1        |                               |
| 34       | E9696    | Bracket                  | 1        | Leg guard attachment rear     |
| 35       | S1954    | Screw                    | 1        |                               |
| 36       | E9857    | Washer                   | 1        |                               |
| 37       | E9688    | Clip                     | 1        |                               |
| 38       | E12851   | Crankcase undershield... | 1        |                               |
| 39       | S2096    | Hooked stud              | 2        |                               |
| 40       | 14-1301  | Nut                      | 2        |                               |
| 41       | D2320    | Washer                   | 2        |                               |
| 42       | F13139   | FOLDING FOOTREST—R.H.    | 1        |                               |
| 42       | F12856   | FOLDING FOOTREST—L.H.    | 1        |                               |
| 43       | F13140   | Footrest hanger—R.H.     | 1        |                               |
| 43       | F12858   | Footrest hanger—L.H.     | 1        |                               |
| 44       | F13092   | Footrest pedal           | 1        |                               |
| 45       | F13095   | Spring                   | 1        |                               |
| 46       | 14-0216  | Bolt                     | 1        |                               |
| 47       | 14-1302  | Nut                      | 1        |                               |
| 48       | F9051    | Footrest rubber          | 1        |                               |
| 49       | S1969    | Bolt                     | 2        | Footrest to frame             |
| 50       | F8243    | Washer                   | 2        |                               |

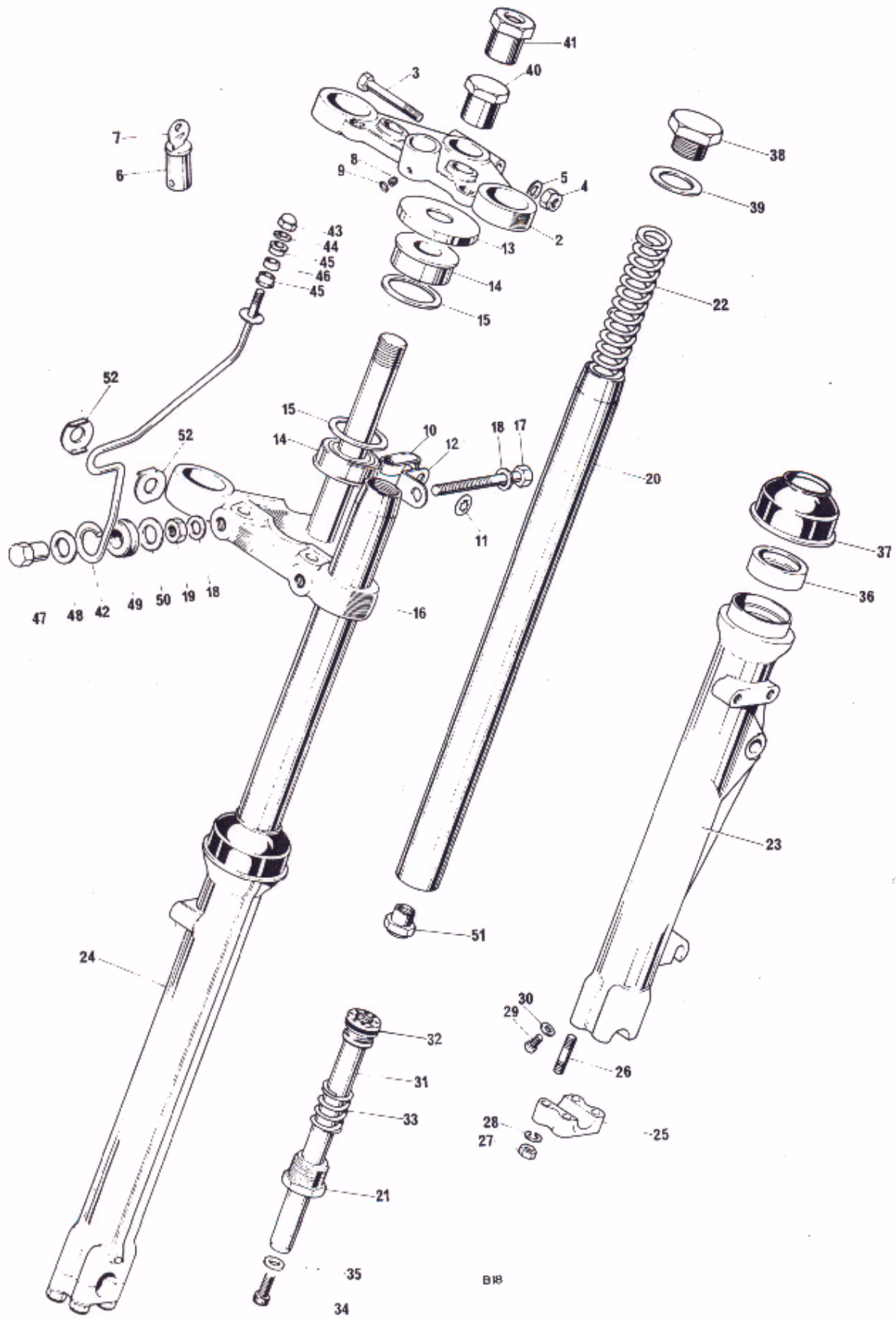


Fig. 19. TELESCOPIC FRONT FORK

TELESCOPIC FRONT FORK

| Ref. No. | Part No. | DESCRIPTION                                 | QUANTITY | REMARKS                     |
|----------|----------|---|----------|-----------------------------|
| 1        | H4080    | FORK ASSEMBLY                               | 1        |                             |
| 1        | H4081    | FORK ASSEMBLY                               | 1        | TR6C                        |
| 2        | H4035    | Top Yoke                                    | 1        |                             |
| 3        | 14-0234  | Pinch Bolt                                  | 1        |                             |
| 4        | 14-1303  | Nut   | 1        |                             |
| 5        | E8084    | Washer                                      | 1        |                             |
| 6        | F6738    | Lock c/w 2 keys                             | 1        |                             |
| 7        | D623     | Key (state serial No.)                      | 1        |                             |
| 8        | S578     | Grub screw                                  | 1        |                             |
| 9        | H2266    | Sealing washer                              | 1        |                             |
| 10       | H2270    | Brake cable retainer                        | 1        |                             |
| 11       | F8245    | Starlock washer                             | 1        |                             |
| 12       | H3682    | Retaining bracket                           | 1        |                             |
| 13       | F12007   | Abutment ring                               | 2        |                             |
| 14       | H4031    | Taper roller bearing                        | 2        |                             |
| 15       | H4028    | Dust cover                                  | 2        |                             |
| 16       | H4082    | Bottom yoke and stem                        | 1        |                             |
| 17       | 14-0238  | Pinch bolt                                  | 2        |                             |
| 18       | E8084    | Washer                                      | 4        |                             |
| 19       | 14-1303  | Nut   | 2        |                             |
| 20       | H4007    | Stanchion                                   | 2        |                             |
| 21       | H4076    | End plug                                    | 2        |                             |
| 22       | H4087    | Main spring                                 | 2        |                             |
| 23       | H3954    | Outer member—R.H.                           | 1        |                             |
| 24       | H3952    | Outer member—L.H.                           | 1        |                             |
| 25       | H3947    | Cap wheel spindle                           | 2        |                             |
| 26       | S2102    | Stud...                                     | 8        |                             |
| 27       | 14-0302  | Nut   | 8        |                             |
| 28       | D2428    | Washer                                      | 8        |                             |
| 29       | H3894    | Drain plug                                  | 2        |                             |
| 30       | H3893    | Washer                                      | 2        |                             |
| 31       | H4200    | Damper tube and valve assembly              | 2        |                             |
| 32       | H4003    | "O" ring—damper valve                       | 2        |                             |
| 33       | H4009    | Recoil spring                               | 2        |                             |
| 34       | 14-1019  | Cap screw-damper tube                       | 2        |                             |
| 35       | H4004    | Cap screw seal                              | 2        |                             |
| 36       | H4001    | Oil seal outer member                       | 2        |                             |
| 37       | H4002    | Scraper sleeve outer member                 | 2        |                             |
| 38       | H4258    | Top cap nut                                 | 2        |                             |
| 39       | H4166    | Washer                                      | 2        |                             |
| 40       | H4029    | Steering stem nut (without steering damper) | 1        |                             |
| 41       | H4092    | Steering stem nut (with steering damper)    | 1        |                             |
| 42       | H4058    | Headlamp bracket—L.H.                       | 1        | Not TR6C                    |
| 42       | H4060    | Headlamp bracket—R.H.                       | 1        |                             |
| 42       | H4088    | Headlamp bracket—L.H.                       | 1        | TR6C                        |
| 42       | H4090    | Headlamp bracket—R.H.                       | 1        |                             |
| 43       | S1809    | Nut   | 2        |                             |
| 44       | D2338    | Washer                                      | 2        |                             |
| 45       | F12209   | Bush  | 4        | Headlamp bracket top fixing |
| 46       | F12211   | Spacer                                      | 2        |                             |

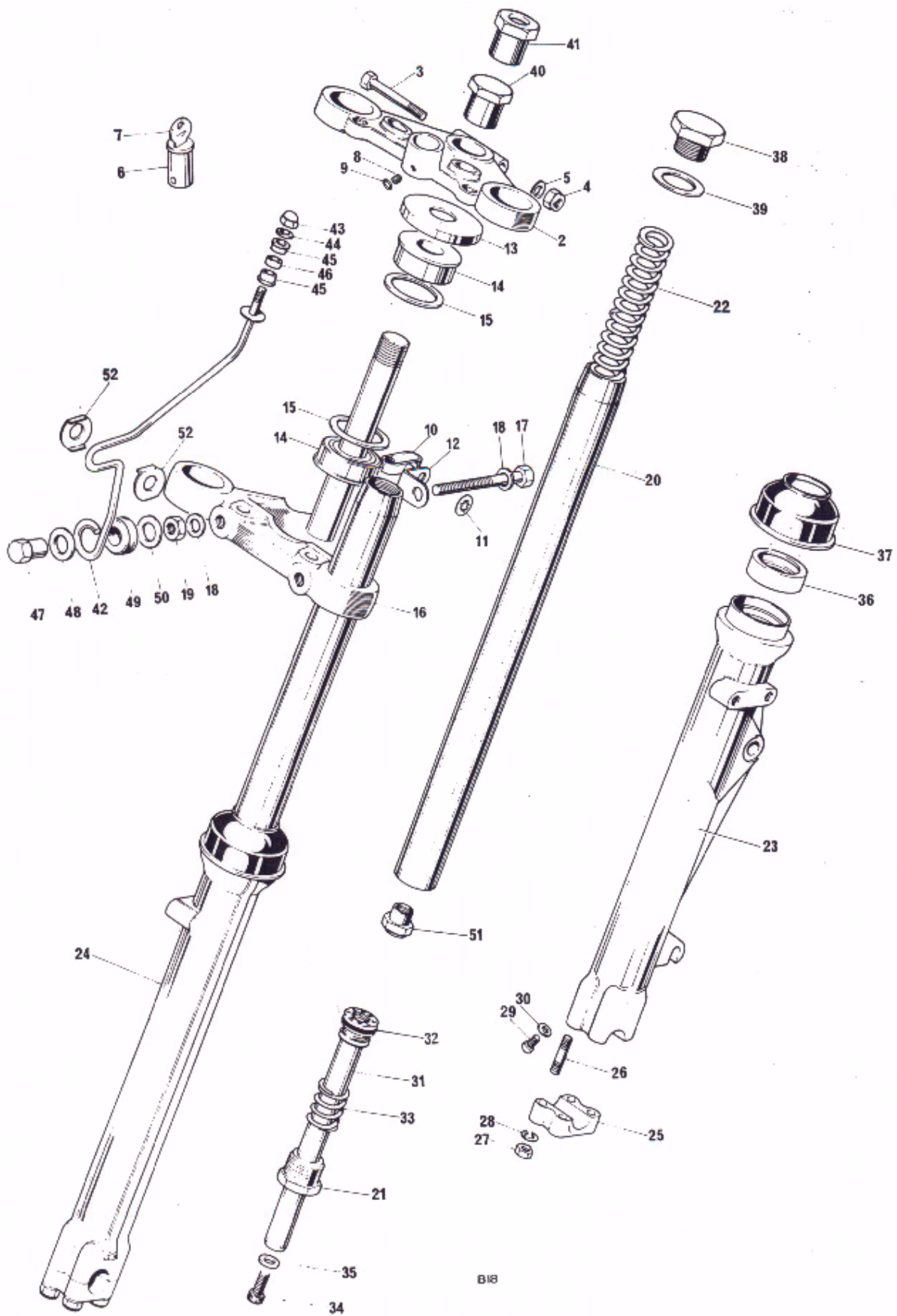


Fig. 19. TELESCOPIC FRONT FORK



Ref. No. Part No. DESCRIPTION QUANTITY REMARKS

TELESCOPIC FRONT FORK

| Ref. No. | Part No. | DESCRIPTION      | QUANTITY | REMARKS |
|----------|----------|------------------|----------|---------|
| 47       | S2062    | Sleeve nut       | ...      | 2       |
| 48       | D2333    | Washer           | ...      | 2       |
| 49       | D2630    | Grommet          | ...      | 2       |
| 50       | F9046    | Washer           | ...      | 2       |
| 51       | H4012    | Nut—damper valve | ...      | 2       |
| 52       | F12216   | Clamp washer     | ...      | 4       |

} Headlamp bracket bottom fixing

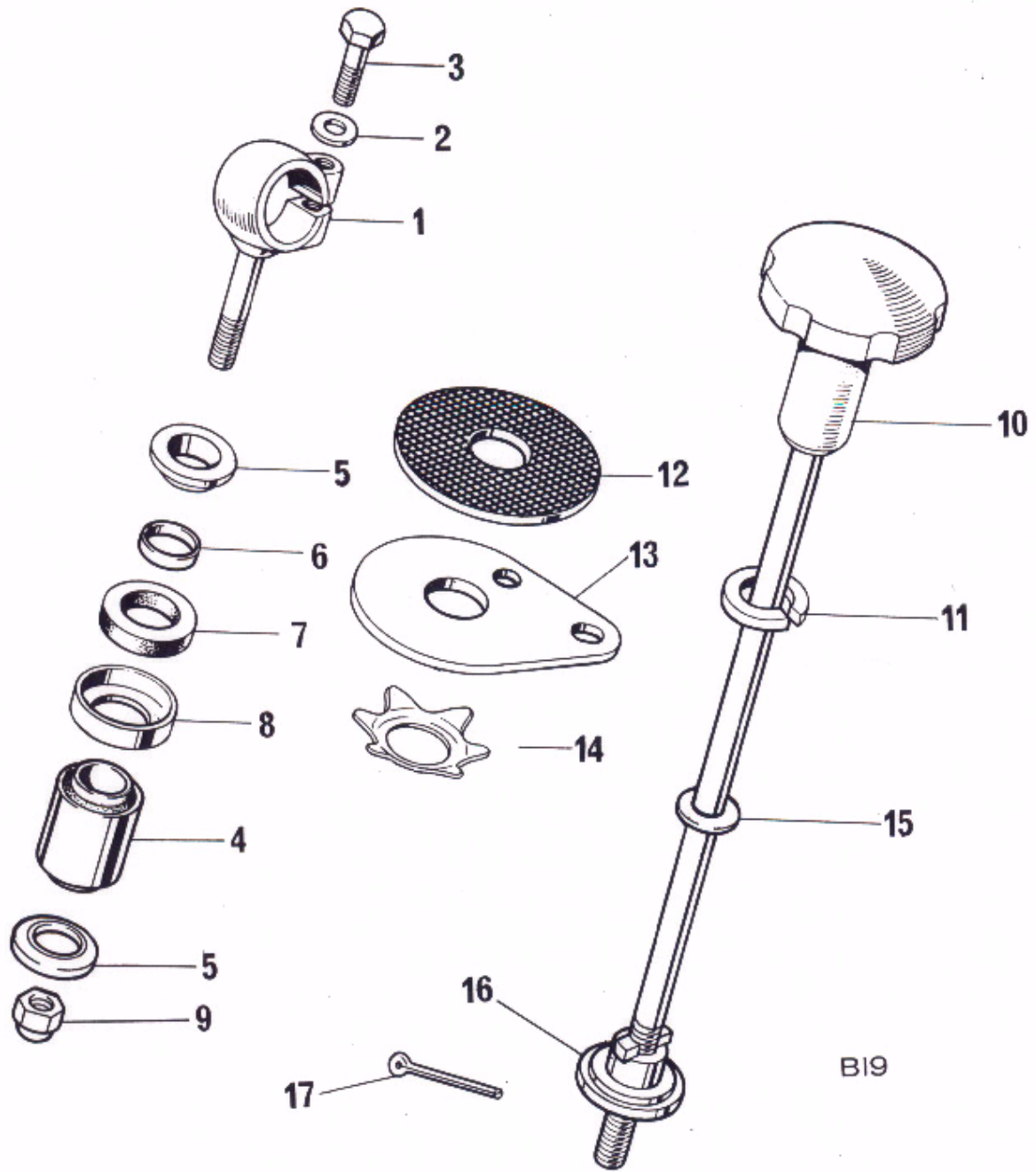
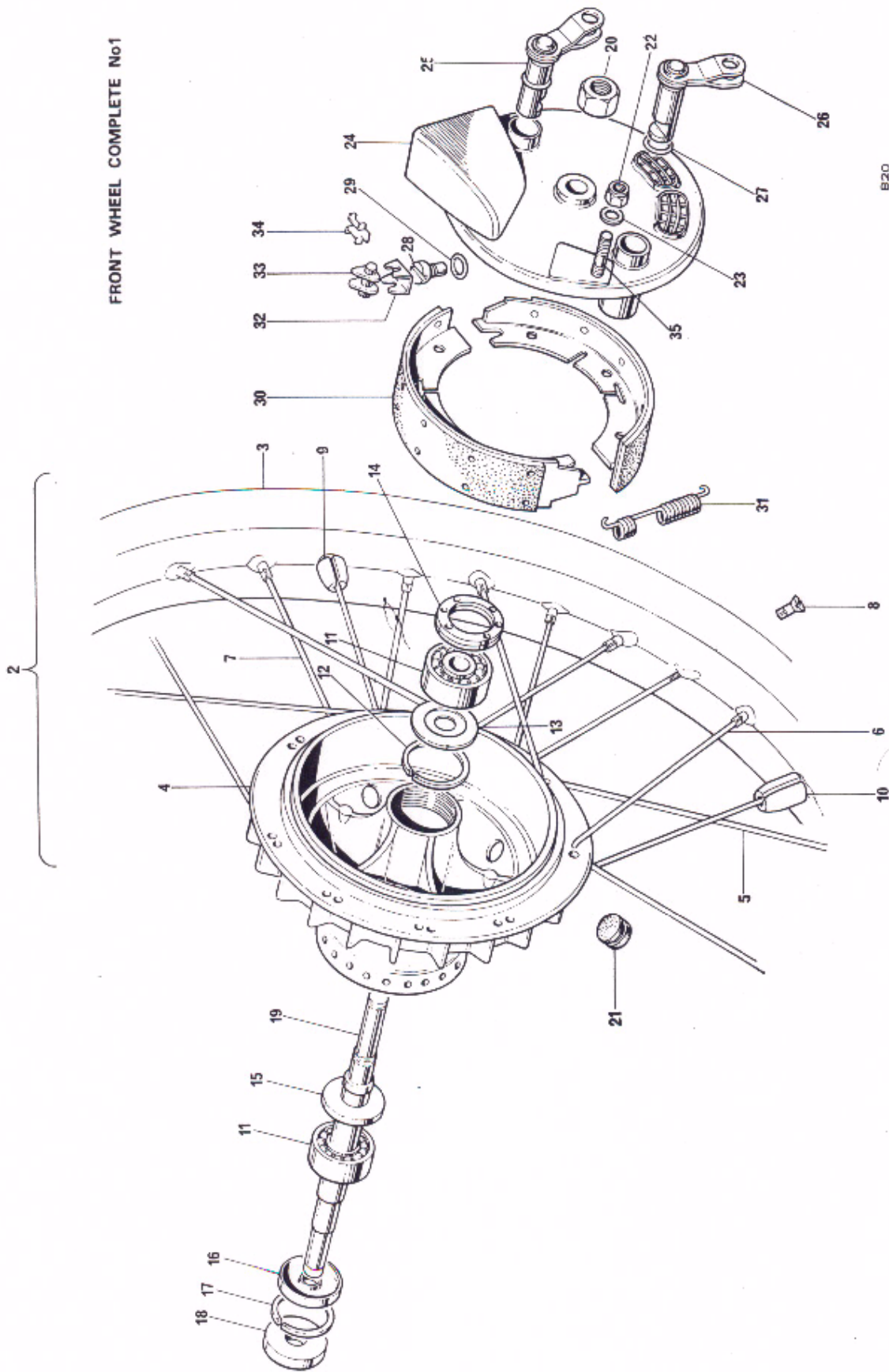


Fig. 20. HANDLEBAR MOUNTINGS AND STEERING DAMPER

### HANDLEBAR MOUNTINGS AND STEERING DAMPER

|    |         |   |     |     |     |     |     |     |     |     |                |
|----|---------|---|-----|-----|-----|-----|-----|-----|-----|-----|----------------|
| 1  | H2291   | Handlebar eyebolt                               | ... | ... | ... | ... | ... | ... | ... | 2   |                |
| 2  | F1335   | Washer  | ... | ... | ... | ... | ... | ... | ... | 2   |                |
| 3  | S589    | Bolt  | ... | ... | ... | ... | ... | ... | ... | 2   |                |
| 4  | H1527   | Metalastic bush                                 | ... | ... | ... | ... | ... | ... | ... | 2   |                |
| 5  | H1529   | Hemispherical washer                            | ... | ... | ... | ... | ... | ... | ... | 4   |                |
| 6  | H1581   | Distance piece                                  | ... | ... | ... | ... | ... | ... | ... | 2   |                |
| 7  | H1580   | Rubber washer                                   | ... | ... | ... | ... | ... | ... | ... | 2   |                |
| 8  | H2221   | Cup   | ... | ... | ... | ... | ... | ... | ... | 2   |                |
| 9  | 14-1303 | Nut   | ... | ... | ... | ... | ... | ... | ... | 2   |                |
| 10 | H3875   | Steering damper rod c/w knob                    | ... | ... | ... | ... | ... | ... | ... | 1   | } Available    |
| 11 | D2438   | Spring washer                                   | ... | ... | ... | ... | ... | ... | ... | 1   |                |
| 12 | H435    | Friction disc                                   | ... | ... | ... | ... | ... | ... | ... | 1   |                |
| 13 | H1797   | Anchor plate                                    | ... | ... | ... | ... | ... | ... | ... | 1   |                |
| 14 | H95     | Spring plate                                    | ... | ... | ... | ... | ... | ... | ... | 1   |                |
| 15 | D2329   | Washer  | ... | ... | ... | ... | ... | ... | ... | 1   |                |
| 16 | H4102   | Bottom nut                                      | ... | ... | ... | ... | ... | ... | ... | 1   |                |
| 17 | —       | Split pin ( $\frac{3}{32} \times \frac{1}{2}$ ) | ... | ... | ... | ... | ... | ... | ... | ... | Reference only |

FRONT WHEEL COMPLETE No1



B20

Fig. 21. FRONT WHEEL

**FRONT WHEEL**

|    |         |                                   |             |                            |
|----|---------|-----------------------------------|-------------|----------------------------|
| 1  | W3845   | FRONT WHEEL COMPLETE              | 1           |                            |
| 2  | W3844   | RIM, SPOKES AND HUB ASSEMBLY      | 1           |                            |
| 3  | W3818   | Wheel rim (WM2-19)                | 1           |                            |
| 4  | W3658   | Brake drum and hub                | 1           |                            |
| 5  | W3820   | Spoke (R.H.—inner)                | 10          |                            |
| 6  | W3819   | Spoke (R.H.—outer)                | 10          |                            |
| 7  | W3821   | Spoke (L.H.)                      | 20          |                            |
| 8  | W2294   | Nipple...                         | 40          |                            |
| 9  | W3969   | Balance weight (short)            | as required |                            |
| 10 | W3970   | Balance weight (long)             | as required |                            |
| 11 | W653    | Bearing                           | 2           |                            |
| 12 | D2632   | Circlip—R.H.                      | 1           |                            |
| 13 | W3797   | Grease retainer—R.H.              | 1           |                            |
| 14 | W3759   | Lock ring—R.H.                    | 1           |                            |
| 15 | W1481   | Grease cap inner—L.H.             | 1           |                            |
| 16 | W1237   | Grease cap outer—L.H.             | 1           |                            |
| 17 | T280    | Circlip—L.H.                      | 1           |                            |
| 18 | W3932   | Distance piece                    | 1           |                            |
| 19 | W3796   | Wheel spindle                     | 1           |                            |
| 20 | W2058   | Nut wheel spindle                 | 1           |                            |
| 21 | D2594   | Grommet brake drum                | 1           |                            |
| 22 | 14-1303 | Nut                               | 1           | } Anchor plate to fork leg |
| 23 | D2340   | Washer                            | 1           |                            |
| 24 | W3655   | Brake anchor plate                | 1           |                            |
| 25 | W3987   | Brake lever front                 | 1           |                            |
| 26 | W3986   | Brake lever rear                  | 1           |                            |
| 27 | D2639   | "O" ring brake cam                | 2           |                            |
| 28 | W3762   | Tappet brake cam                  | 2           |                            |
| 29 | W3761   | "O" ring brake tappet             | 2           |                            |
| 30 | W3713   | Brake shoe complete               | 2           |                            |
| 31 | W3714   | Return spring                     | 2           |                            |
| 32 | W3715   | Cage brake shoe adjuster          | 2           |                            |
| 33 | W3716   | Micram adjuster                   | 2           |                            |
| 34 | W3717   | Abutment pressing                 | 2           |                            |
| 35 | 14-1635 | Stud-anchor plate torque reaction | 1           |                            |

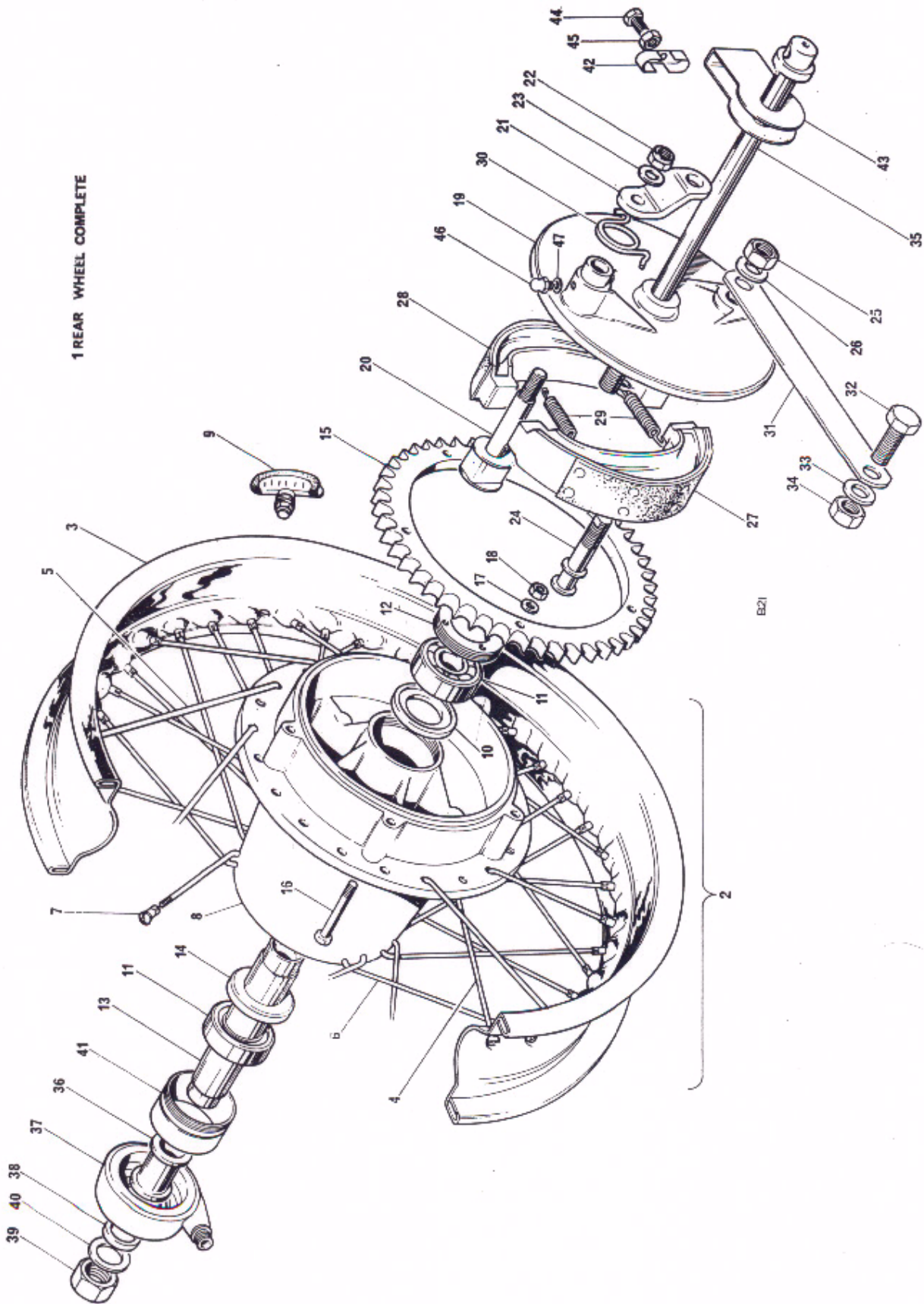


Fig. 22. REAR WHEEL

**REAR WHEEL**

|    |         |  |    |                             |
|----|---------|--|----|-----------------------------|
| 1  | W3968   | REAR WHEEL COMPLETE ... ..               | 1  |                             |
| 2  | W3782   | RIM SPOKES AND HUB ASSEMBLY ... ..       | 1  |                             |
| 3  | W3784   | RIM (Wm 3 x 18) ... ..                   | 1  |                             |
| 4  | W3724   | Spoke (inner—L.H.) ... ..                | 10 |                             |
| 5  | W3725   | Spoke (outer—L.H.) ... ..                | 10 |                             |
| 6  | W3726   | Spoke—R.H. ... ..                        | 20 |                             |
| 7  | W2294   | Nipple... ..                             | 40 |                             |
| 8  | W3773   | Hub and brake drum ... ..                | 1  |                             |
| 9  | W3468   | Tyre security bolt... ..                 | 2  |                             |
| 10 | W3749   | Support ring—L.H. ... ..                 | 1  |                             |
| 11 | W653    | Bearing ... ..                           | 2  |                             |
| 12 | W3752   | Locking ring—L.H. ... ..                 | 1  |                             |
| 13 | W3753   | Spacer ... ..                            | 1  |                             |
| 14 | W1654   | Grease retainer—R.H. ... ..              | 1  |                             |
| 15 | W3747   | Sprocket 47 teeth ... ..                 | 1  |                             |
| 16 | 14-0207 | Bolt ... ..                              | 5  | } Sprocket to hub           |
| 17 | D2320   | Washer ... ..                            | 5  |                             |
| 18 | 14-1301 | Nut ... ..                               | 5  |                             |
| 19 | W3856   | Brake anchor plate ... ..                | 1  |                             |
| 20 | W3872   | Brake cam ... ..                         | 1  |                             |
| 21 | W3877   | Brake lever ... ..                       | 1  |                             |
| 22 | 14-1303 | Nut ... ..                               | 1  |                             |
| 23 | D2331   | Washer ... ..                            | 1  |                             |
| 24 | W3870   | Brake pivot ... ..                       | 1  |                             |
| 25 | 14-0305 | Nut ... ..                               | 1  | } Brake pivot to torque arm |
| 26 | D2431   | Washer ... ..                            | 1  |                             |
| 27 | W3925   | Brake shoe complete (leading) ... ..     | 1  |                             |
| 28 | W3926   | Brake shoe complete (trailing) ... ..    | 1  |                             |
| 29 | W2328   | Return spring (brake shoe) ... ..        | 2  |                             |
| 30 | W3880   | Return spring (brake lever) ... ..       | 1  |                             |
| 31 | F12656  | Brake torque arm ... ..                  | 1  |                             |
| 32 | 14-0133 | Bolt ... ..                              | 1  | } Torque arm to frame       |
| 33 | W2330   | Washer ... ..                            | 2  |                             |
| 34 | 14-1304 | Nut ... ..                               | 1  |                             |
| 35 | W3965   | Wheel spindle ... ..                     | 1  |                             |
| 36 | W3750   | Distance piece inner ... ..              | 1  |                             |
| 37 | D3213   | Speedometer drive gearbox ... ..         | 1  |                             |
| 38 | W3746   | Distance piece outer ... ..              | 1  |                             |
| 39 | 14-1307 | Nut ... ..                               | 1  | } Wheel spindle             |
| 40 | F12266  | Washer ... ..                            | 1  |                             |
| 41 | W3751   | Speedometer drive ring ... ..            | 1  |                             |
| 42 | F13082  | Cover plate—swinging arm fork end ... .. | 2  |                             |
| 43 | W3742   | Chain adjuster ... ..                    | 2  |                             |
| 44 | 14-0107 | Screw ... ..                             | 2  | } Chain adjuster            |
| 45 | 14-0301 | Nut ... ..                               | 2  |                             |
| 46 | D1841   | Grease nipple ... ..                     | 1  |                             |
| 47 | WE170   | Fibre washer ... ..                      | 1  |                             |

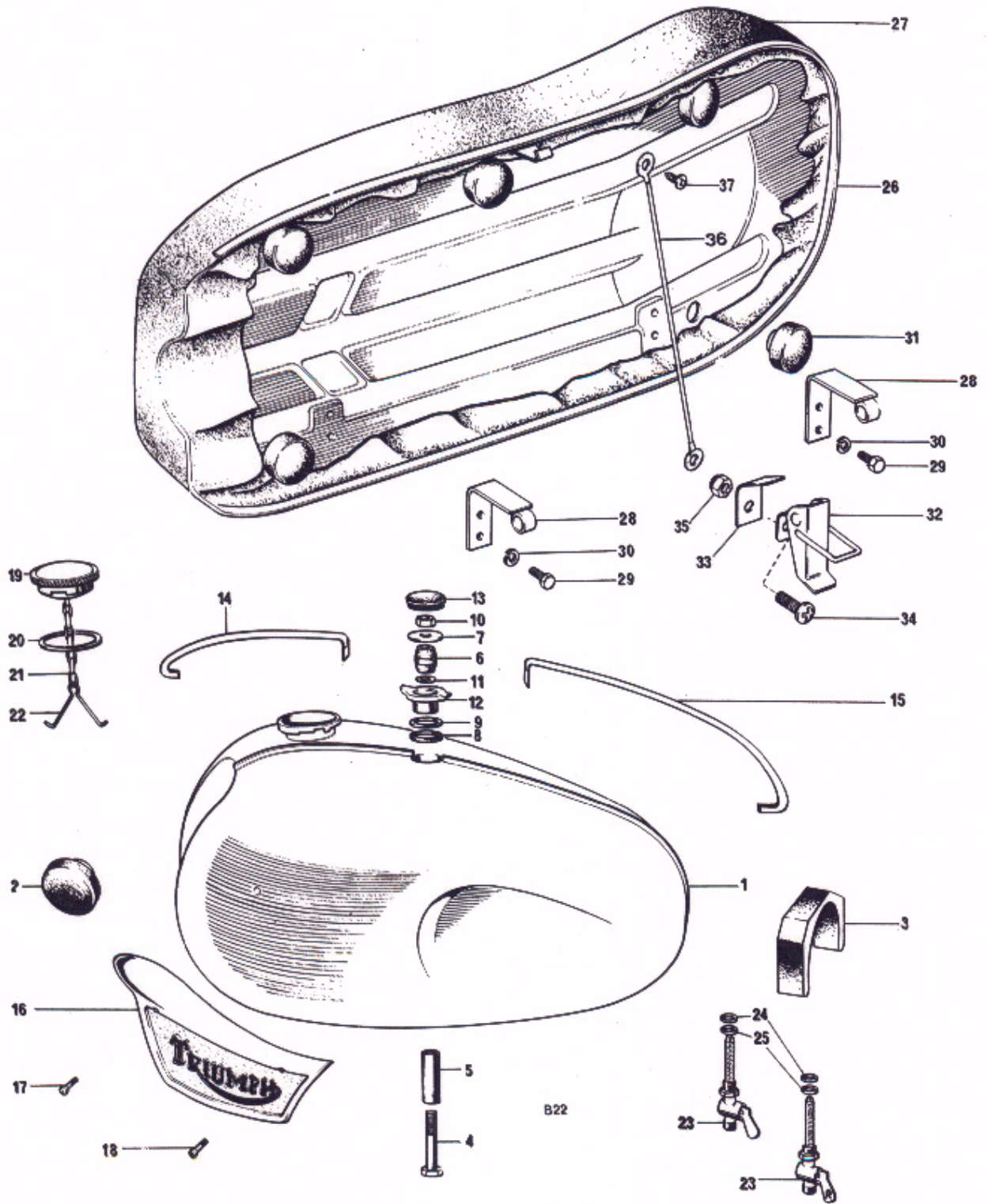
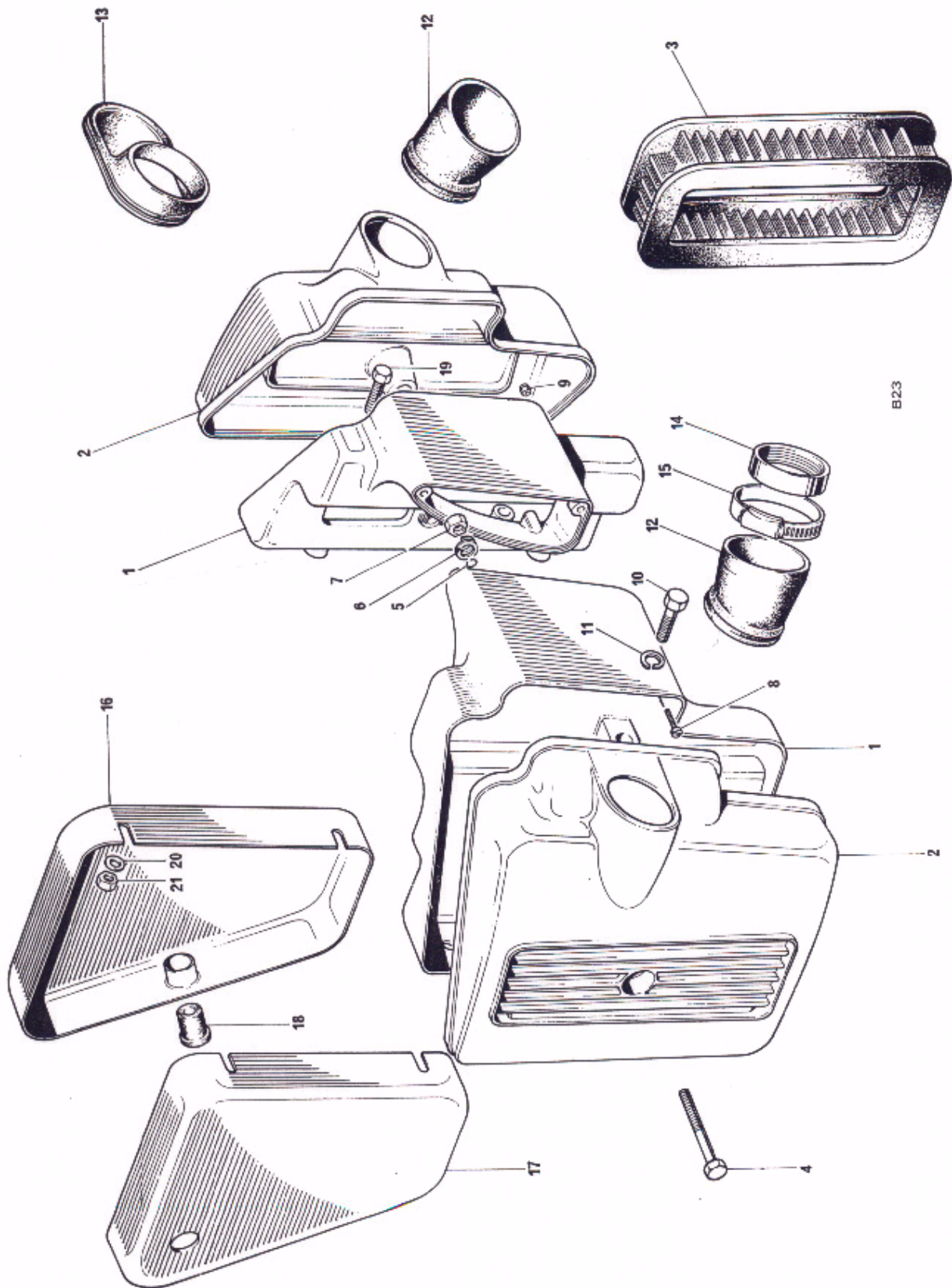


Fig. 23. GAS TANKS AND TWINSEAT



**GAS TANK AND TWINSEAT**

|    |                  |                        |                         |                            |   |      |
|----|------------------|------------------------|-------------------------|----------------------------|---|------|
| 1  | F12996           | Gas tank (3 gall.)     | ...                     | ...                        | 1 |      |
| 2  | <del>F9062</del> | Steady rubber          | ...                     | <del>83 4931</del> 83 4931 | 2 |      |
| 3  | F13021           | Mounting rubber        | ...                     | ...                        | 2 |      |
| 4  | S1823            | Centre fixing bolt     | ...                     | ...                        | 1 |      |
| 5  | F13133           | Distance tube          | ...                     | ...                        | 1 |      |
| 6  | F10260           | Mounting rubber        | ...                     | ...                        | 1 |      |
| 7  | F13320           | Washer                 | ...                     | ...                        | 1 |      |
| 8  | F13321           | Rubber washer          | ...                     | ...                        | 1 |      |
| 9  | F13319           | Mounting ring          | ...                     | ...                        | 1 |      |
| 10 | S1999            | Nut                    | ...                     | ...                        | 1 |      |
| 11 | D2330            | Washer                 | ...                     | ...                        | 1 |      |
| 12 | F13318           | Beading holder         | ...                     | ...                        | 1 |      |
| 13 | F13068           | Grommet                | ...                     | ...                        | 1 |      |
| 14 | F13134           | Styling strip-front    | ...                     | ...                        | 1 |      |
| 15 | F13135           | Styling strip-rear     | ...                     | ...                        | 1 |      |
| 16 | F9700            | Tank motif—L.H.        | ...                     | ...                        | 1 |      |
| 16 | F9701            | Tank motif—R.H.        | ...                     | ...                        | 1 |      |
| 17 | F11339           | Screw—front—tank motif | ...                     | ...                        | 2 |      |
| 18 | F7888            | Screw—rear—tank motif  | ...                     | ...                        | 2 |      |
| 19 | F3220            | Filler cap             | ...                     | ...                        | 1 |      |
| 20 | F4048            | Joint washer           | ...                     | ...                        | 1 |      |
| 21 | F3217            | Jack chain             | ...                     | ...                        | 1 | TR6C |
| 22 | F3221            | Clip                   | ...                     | ...                        | 1 | TR6C |
| 23 | F12800           | Gas tap                | ...                     | ...                        | 1 |      |
| 23 | F12801           | Gas tap—reserve        | ...                     | ...                        | 1 |      |
| 24 | E7351            | Tap seal               | ...                     | ...                        | 2 |      |
| 25 | F10002           | Washer                 | ...                     | ...                        | 2 |      |
| 26 | F13634           | Twinseat               | ...                     | ...                        | 1 |      |
| 27 | F13637           | Twinseat cover         | ...                     | ...                        | 1 |      |
| 28 | F12867           | Hinge                  | ...                     | ...                        | 2 |      |
| 29 | 14-0101          | Bolt                   | } Hinge to twinseat     | ...                        | 4 |      |
| 30 | D2417            | Spring washer          |                         | ...                        | 4 |      |
| 31 | F9093            | Rubber buffer          | ...                     | ...                        | 5 |      |
| 32 | F13061           | Catch assembly         | ...                     | ...                        | 1 |      |
| 33 | F12597           | Spring—catch assembly  | ...                     | ...                        | 1 |      |
| 34 | 14-0604          | Screw                  | } Twinseat catch fixing | ...                        | 1 |      |
| 35 | 14-1301          | Nut                    |                         | ...                        | 1 |      |
| 36 | D2087            | Check wire             | ...                     | ...                        | 1 |      |
| 37 | D2381            | Screw—self tapping     | ...                     | ...                        | 1 |      |



B23

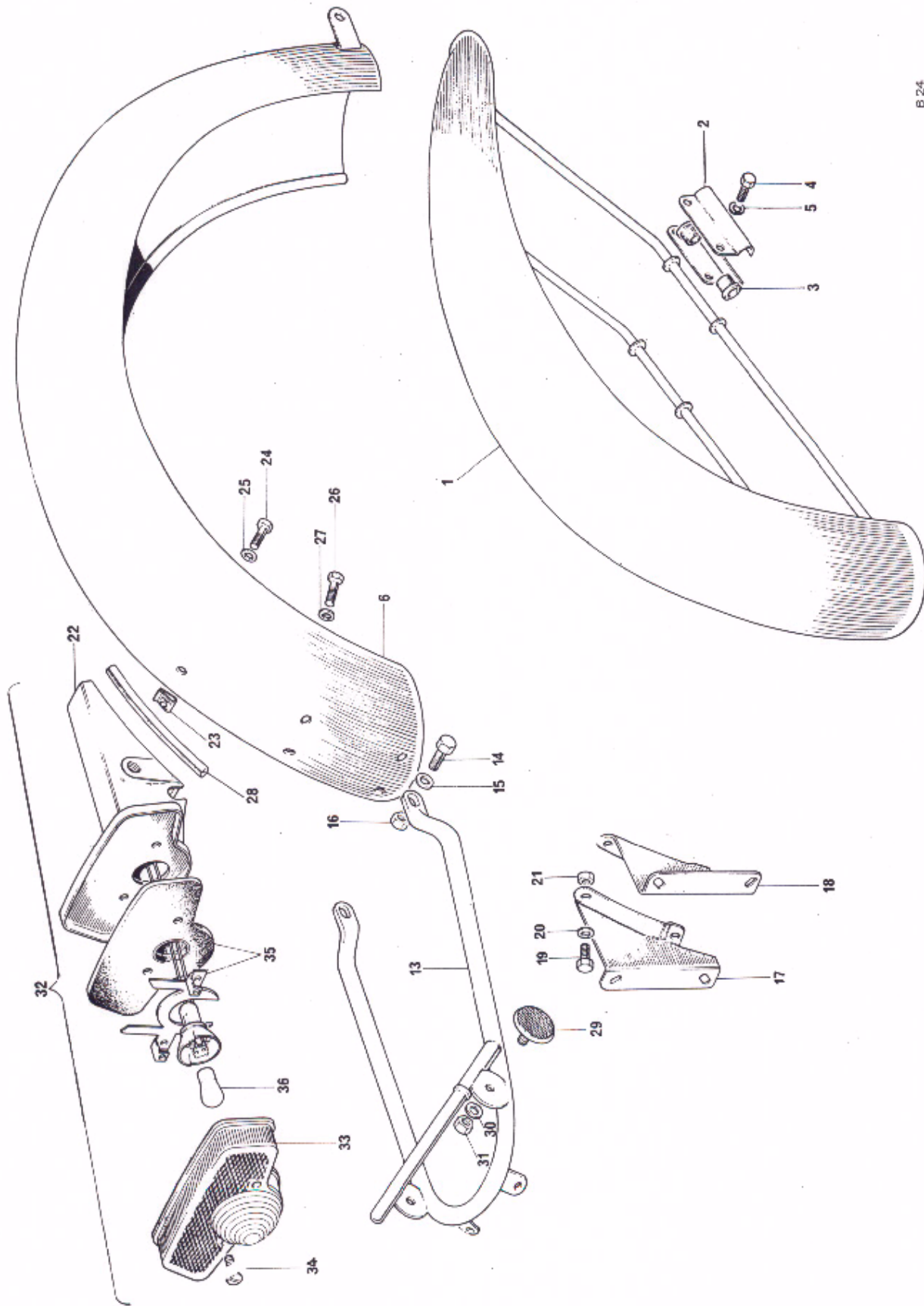
FIG. 24. AIR CLEANERS AND SIDE PANELS

**AIR CLEANER AND SIDE PANELS**

|            |         |                           |                              |     |     |        |                              |
|------------|---------|---------------------------|------------------------------|-----|-----|--------|------------------------------|
|            | F13789  | AIR CLEANER ASSEMBLY—L.H. | ...                          | ... | ... | 1      | } Twin Carb<br>T120R         |
|            | F13790  | AIR CLEANER ASSEMBLY—R.H. | ...                          | ... | ... | 1      |                              |
| 1          | F12749  | Body—L.H.                 | ...                          | ... | ... | 1      |                              |
| 1          | F12750  | Body—R.H.                 | ...                          | ... | ... | 1      |                              |
| 2          | F12751  | Cover—L.H.                | ...                          | ... | ... | 1      |                              |
| 2          | F12752  | Cover—R.H.                | ...                          | ... | ... | 1      |                              |
|            | F13791  | AIR CLEANER ASSEMBLY—L.H. | ...                          | ... | ... | 1      | } Single carb.<br>TR6R, TR6C |
|            | F13792  | AIR CLEANER ASSEMBLY—R.H. | ...                          | ... | ... | 1      |                              |
| 1          | F12798  | Body—L.H.                 | ...                          | ... | ... | 1      |                              |
| 1          | F12797  | Body—R.H.                 | ...                          | ... | ... | 1      |                              |
| 2          | F12839  | Cover—L.H.                | ...                          | ... | ... | 1      |                              |
| 2          | F12840  | Cover—R.H.                | ...                          | ... | ... | 1      |                              |
| 3          | D3072   | Element                   | ...                          | ... | ... | 2      | } All models                 |
| 4          | 14-0221 | Bolt                      | ...                          | ... | ... | 2      |                              |
| 5          | F12799  | Circlip                   | } Cover to body              | ... | ... | 2      |                              |
| 6          | D2438   | Washer                    |                              | ... | ... | ...    |                              |
| 7          | 14-0302 | Nut                       | ...                          | ... | ... | 2      |                              |
| 8          | D3539   | Screw                     | } L. H. assy. to R. H. assy. | ... | ... | 2      |                              |
| 9          | S501    | Nut                       |                              | ... | ... | ...    |                              |
| 10         | 14-0217 | Bolt                      | } Air cleaner to frame       | ... | ... | 2      |                              |
| 11         | D2418   | Spring washer             |                              | ... | ... | ...    |                              |
| 12         | F12626  | Connector pipe            | ...                          | ... | ... | 2      |                              |
| 13         | F12625  | Connector pipe            | ...                          | ... | ... | 1      | TR6C, TR6R                   |
| 14         | E11860  | Carburetor adaptor        | ...                          | ... | ... | 1 or 2 |                              |
| 15         | D3536   | Clip—Jubilee type         | ...                          | ... | ... | 1 or 2 |                              |
| 16         | F12502  | Side panel—L.H.           | ...                          | ... | ... | 1      |                              |
| 17         | F12504  | Side panel—R.H.           | ...                          | ... | ... | 1      |                              |
| 18         | F6673   | Panel grommet             | ...                          | ... | ... | 2      |                              |
| 19         | 14-0201 | Bolt                      | } Side panel to air cleaner  | ... | ... | 4      |                              |
| 20         | D2329   | Washer                    |                              | ... | ... | ...    | 4                            |
| 21         | 14-1301 | Nut                       |                              | ... | ... | ...    | 4                            |
| Not illus. | D2103   | Transfer                  | ...                          | ... | ... | 2      | T120R                        |
| Not illus. | D2104   | Transfer                  | ...                          | ... | ... | 2      | TR6C                         |
| Not illus. | D2102   | Transfer                  | ...                          | ... | ... | 2      | TR6R                         |

LATER MODELS USE THE FOLLOWING:—

|    |         |                           |     |     |     |   |
|----|---------|---------------------------|-----|-----|-----|---|
| 5  | F8245   | Retainer                  | ... | ... | ... | 2 |
| 10 | 14-0218 | Bolt                      | ... | ... | ... | 2 |
| —  | F9196   | Spacer (use with 14-0218) | ... | ... | ... | 2 |



B 24

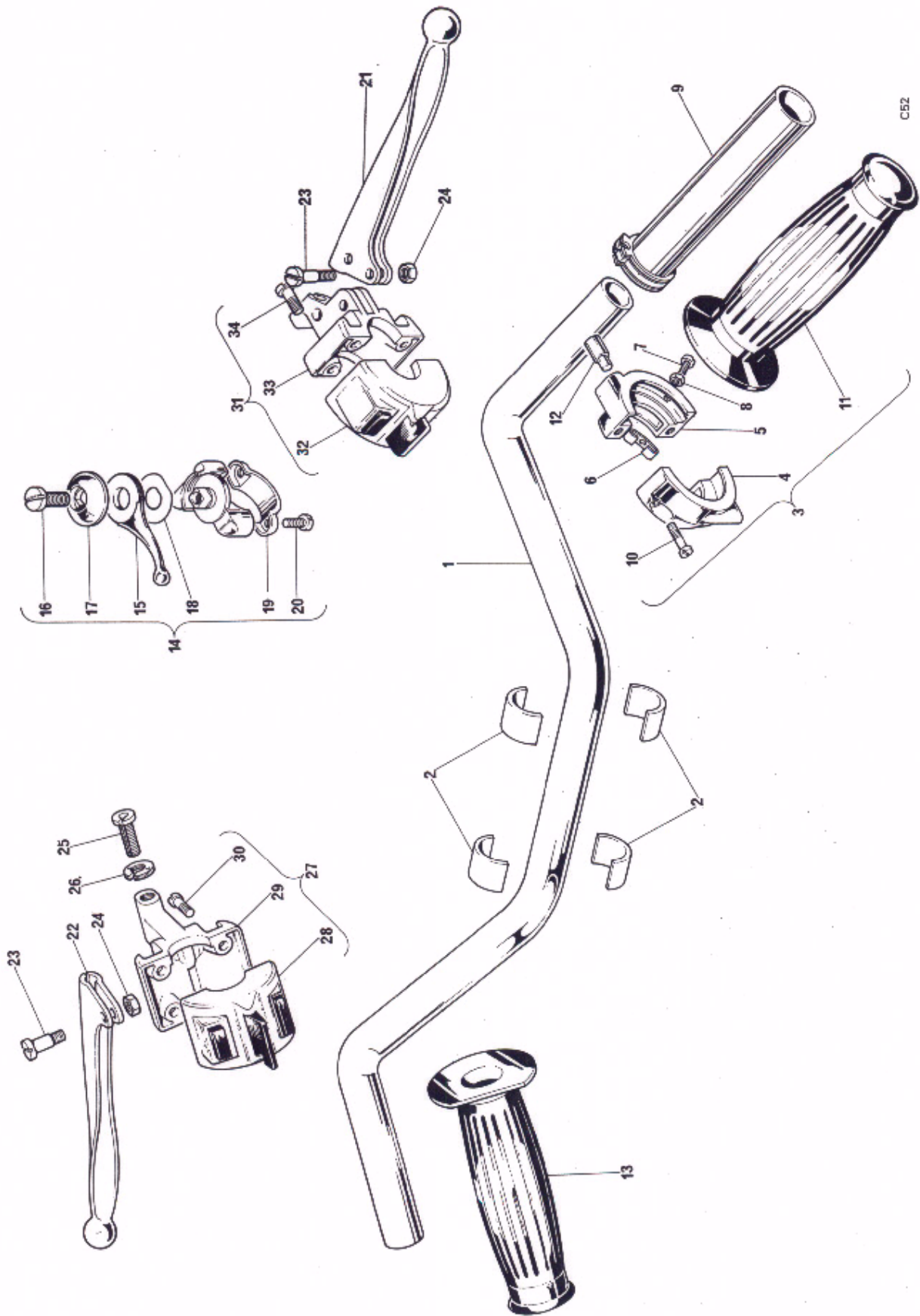
FIG. 25. FENDERS AND TAIL LAMP

**FENDERS AND TAIL LAMP**

|    |          |                                  |   |                |
|----|----------|----------------------------------|---|----------------|
| 1  | H4260    | Front fender                     | 1 | TR6R, T120R    |
| 1  | H4065    | Front fender                     | 1 | TR6C           |
| 2  | H4022    | Bracket                          | 4 |                |
| 3  | H4021    | Rubber bush                      | 4 |                |
| 4  | 14-0103  | Bolt                             | 4 |                |
| 5  | D2427    | Spring washer                    | 4 |                |
| 6  | F13566   | Rear fender                      | 1 | TR6R, T120R    |
| 6  | F13565   | Rear fender                      | 1 | TR6C           |
| 7  | 14-0114  | Bolt                             | 2 |                |
| 8  | D2330    | Washer                           | 2 |                |
| 9  | 14-1302  | Nut                              | 2 |                |
| 10 | 14-0101  | Bolt                             | 3 |                |
| 11 | D2329    | Washer                           | 3 |                |
| 12 | 14-1301  | Nut                              | 2 |                |
| 13 | F12768   | Lifting handle                   | 1 |                |
| 14 | 14-0101  | Bolt                             | 2 |                |
| 15 | D2329    | Washer                           | 2 |                |
| 16 | 14-1301  | Nut                              | 2 |                |
| 17 | F12727   | Rear number plate bracket—L.H.   | 1 |                |
| 18 | F12728   | Rear number plate bracket—R.H.   | 1 |                |
| 19 | 14-0102  | Bolt                             | 4 |                |
| 20 | D2329    | Washer                           | 4 |                |
| 21 | 14-1301  | Nut                              | 4 |                |
| 22 | F12786   | Tail lamp support                | 1 |                |
| 23 | D3313    | Captive nut                      | 1 |                |
| 24 | 14-6101  | Bolt                             | 1 |                |
| 25 | D2320    | Washer                           | 1 |                |
| 26 | 14-0101  | Bolt                             | 2 |                |
| 27 | D2427    | Washer                           | 2 |                |
| 28 | F13213   | Rubber beading strip             | 2 |                |
| 29 | 57079    | Reflector red (99-1162)          | 2 |                |
| 30 | D2391    | Washer                           | 2 |                |
| 31 | F4717    | Nut                              | 2 |                |
| 32 | 53973    | STOP AND TAIL LAMP 679 (99-0597) | 1 |                |
| 33 | 54577109 | Lens (99-1046)                   | 1 |                |
| 34 | 144921   | Screw (99-1189)                  | 1 |                |
| 35 | 54525286 | Lamp base assembly               |   | Reference only |
| 36 | 380      | Bulb (99-0542)                   | 1 |                |

**LATER MODELS USE THE FOLLOWING:—**

|   |       |              |   |             |
|---|-------|--------------|---|-------------|
| 1 | H4270 | Front fender | 1 | TR6C        |
| 1 | H4271 | Front fender | 1 | TR6R, T120R |



CS2

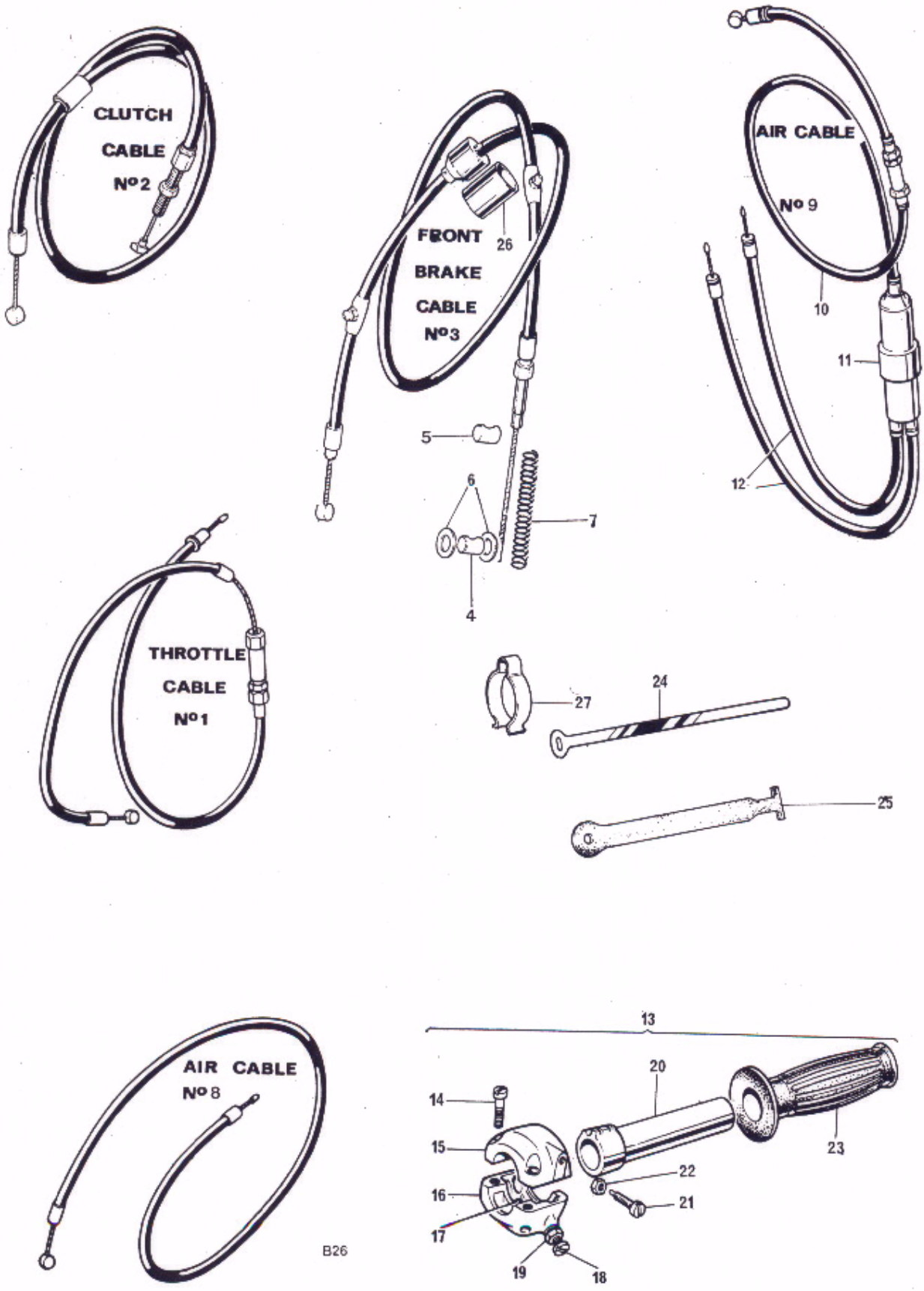
Fig. 26. HANDLEBAR AND CONTROL LEVERS

**HANDLEBARS AND CONTROL LEVERS**

|    |          |                                    |   |                |
|----|----------|------------------------------------|---|----------------|
| 1  | H4252    | Handlebar ... ..                   | 1 |                |
| 2  | H1425    | Sleeve, handlebar mounting ... ..  | 4 |                |
| 3  | 16/364   | TWISTGRIP (99-0248) ... ..         | 1 |                |
| 4  | 16/328   | Body, top half (99-0245) ... ..    | 1 |                |
| 5  | 16/329   | BODY, BOTTOM HALF (99-0246) ... .. | 1 |                |
| 6  | 16/008   | Friction spring ... ..             |   | Reference only |
| 7  | 16/009   | Screw ... ..                       |   | Reference only |
| 8  | 16/010   | Locknut ... ..                     |   | Reference only |
| 9  | 99-0244  | Rotor ... ..                       | 1 |                |
| 10 | 11/013   | Screw (99-0225) ... ..             | 2 |                |
| 11 | H958     | Grip ... ..                        | 1 |                |
| 12 | 16/011   | Cable stop (99-0241) ... ..        | 1 |                |
| 13 | H2124    | Grip ... ..                        | 1 |                |
| 14 | 12/608   | AIR CONTROL LEVER (D3246) ... ..   | 1 |                |
| 15 | 12/556   | Lever ... ..                       |   | Reference only |
| 16 | 12/607   | Bolt ... ..                        |   | Reference only |
| 17 | 12/606   | Cap ... ..                         |   | Reference only |
| 18 | 12/033   | Spring washer ... ..               |   | Reference only |
| 19 | 12/040   | Clamp ... ..                       |   | Reference only |
| 20 | 11/014   | Screw ... ..                       |   | Reference only |
| 21 | D2628    | Front brake lever (alloy) ... ..   | 1 |                |
| 21 | D3143    | Front brake lever (steel) ... ..   | 1 | (TR6R)         |
| 22 | D2627    | Clutch lever (alloy) ... ..        | 1 |                |
| 22 | D3144    | Clutch lever (steel) ... ..        | 1 | (TR6R)         |
| 23 | S2048    | Pivot pin... ..                    | 2 |                |
| 24 | 14-1201  | Nut ... ..                         | 2 |                |
| 25 | D3585    | Adjuster ... ..                    | 2 |                |
| 26 | D3586    | Lockring ... ..                    | 2 |                |
| 27 | 39595    | HANDLEBAR SWITCH—L.H. ... ..       |   | Reference only |
| 28 | 54033666 | Switch half ... ..                 |   | Reference only |
| 29 | 54340883 | Lever half (99-1215) ... ..        | 1 |                |
| 30 | 54115246 | Screw (99-1188) ... ..             | 4 |                |
| 31 | 39596    | HANDLEBAR SWITCH—R.H. ... ..       |   | Reference only |
| 32 | 54033667 | Switch half ... ..                 |   | Reference only |
| 33 | 54340882 | Lever half (99-1187) ... ..        | 1 |                |
| 34 | 54115246 | Screw (99-1188) ... ..             | 4 |                |

LATER MODELS USE THE FOLLOWING:—

|    |       |                                  |   |  |
|----|-------|----------------------------------|---|--|
| 21 | D3583 | Front brake lever (alloy) ... .. | 1 |  |
| 21 | D3648 | Front brake lever (steel) ... .. | 1 |  |



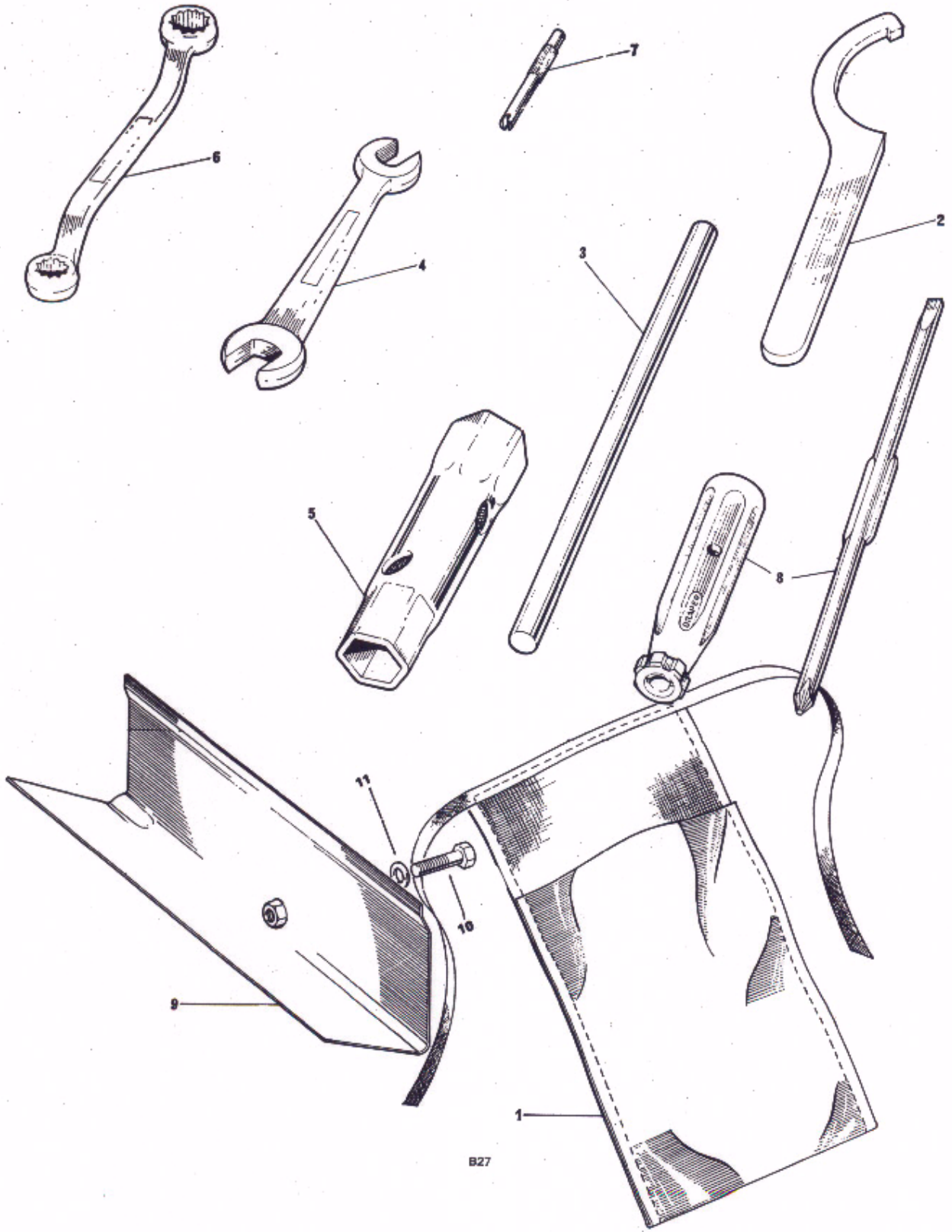
B26

Fig. 27. CONTROL CABLES



### CONTROL CABLES

|                                  |         |                                   |   |                |
|----------------------------------|---------|-----------------------------------|---|----------------|
| 1                                | D1819   | Throttle cable                    | 2 | T120R          |
| 1                                | D1806   | Throttle cable                    | 1 | TR6C, TR6R     |
| 2                                | D3079   | Clutch cable                      | 1 |                |
| 3                                | D3075   | Front brake cable                 | 1 |                |
| 4                                | W3867   | Bush—brake cable stop             | 1 |                |
| 5                                | W3868   | Bush—brake cable                  | 1 |                |
| 6                                | E12500  | Washer                            | 2 |                |
| 7                                | W4014   | Cable spring                      | 1 |                |
| 8                                | D1807   | Air control cable                 | 1 | TR6C, TR6R     |
| 9                                | D3485   | AIR CONTROL CABLE                 | 1 | T120R          |
| 10                               | D1818   | Cable, lever to junction box      | 1 |                |
| 11                               | 244/104 | Junction box (D685)               | 1 |                |
| 12                               | D3486   | Cable, junction box to carburetor | 2 |                |
| 13                               | 313/13  | TWIN ROTOR TWISTGRIP (99-0347)    | 1 | T120R          |
| 14                               | 18/084  | Screw (99-0251)                   | 2 |                |
| 15                               | 313/020 | Body, top half (99-0348)          | 1 |                |
| 16                               | 313/021 | BODY, BOTTOM HALF (99-0349)       | 1 |                |
| 17                               | 16/008  | Friction spring                   |   | Reference only |
| 18                               | 210/007 | Screw                             |   | Reference only |
| 19                               | 5/077   | Nut                               |   | Reference only |
| 20                               | 313/004 | Rotor (99-0344)                   | 1 |                |
| 21                               | 210/008 | Rotor stop screw (99-0338)        | 1 |                |
| 22                               | 5/077   | Nut—rotor stop screw (99-0224)    | 1 |                |
| 23                               | H2125   | Grip                              | 1 |                |
| 24                               | D978    | Cable clip                        | 6 |                |
| 25                               | D343/7  | Cable clip                        | 6 |                |
| 26                               | D2086   | Cover, front brake stop switch    | 1 |                |
| 27                               | H4112   | Handlebar clip                    | 4 |                |
| LATER MODELS USE THE FOLLOWING:— |         |                                   |   |                |
| 3                                | D3557   | Front brake cable                 | 1 |                |
| 4                                | W3996   | Bush—brake cable stop             | 1 |                |
| 5                                | W3997   | Bush—brake cable                  | 1 |                |

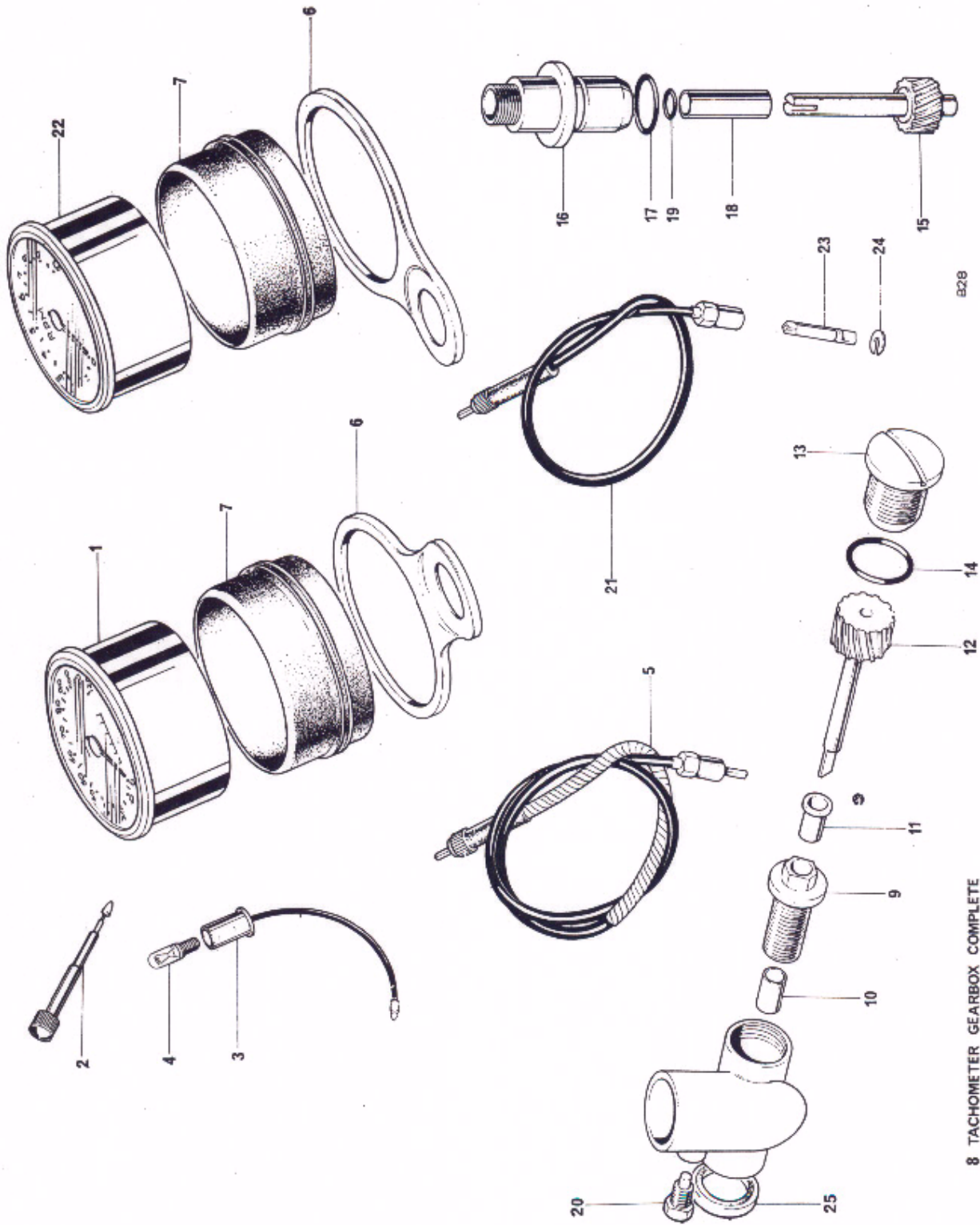


B27

Fig. 28. TOOLKIT

**TOOLKIT**

|    |         |                     |     |     |     |     |     |     |     |   |
|----|---------|---------------------|-----|-----|-----|-----|-----|-----|-----|---|
|    | D2112   | TOOLKIT COMPLETE    | ... | ... | ... | ... | ... | ... | ... | 1 |
| 1  | D291    | Tool roll           | ... | ... | ... | ... | ... | ... | ... | 1 |
| 2  | D2184   | Damper unit spanner | ... | ... | ... | ... | ... | ... | ... | 1 |
| 3  | D1911   | Tommy bar           | ... | ... | ... | ... | ... | ... | ... | 1 |
| 4  | D2084   | Spanner—open ended  | ... | ... | ... | ... | ... | ... | ... | 1 |
| 5  | D971    | Box spanner         | ... | ... | ... | ... | ... | ... | ... | 1 |
| 6  | D972    | Ring spanner        | ... | ... | ... | ... | ... | ... | ... | 1 |
| 7  | D974    | Tyre valve key      | ... | ... | ... | ... | ... | ... | ... | 1 |
| 8  | D767    | Screwdriver         | ... | ... | ... | ... | ... | ... | ... | 1 |
| 9  | F13292  | Tool tray           | ... | ... | ... | ... | ... | ... | ... | 1 |
| 10 | 14-0101 | Bolt                | ... | ... | ... | ... | ... | ... | ... | 1 |
| 11 | D2329   | Washer              | ... | ... | ... | ... | ... | ... | ... | 1 |



828

Fig. 29. SPEEDOMETER AND TACHOMETER

8 TACHOMETER GEAR BOX COMPLETE

**SPEEDOMETER AND TACHOMETER**

|            |                |   |        |                      |
|------------|----------------|---|--------|----------------------|
| 1          | SSM5007/00     | Speedometer head (D2394) ... ..                   | 1      |                      |
| 2          | 41-148-203-10  | Trip control (99-0176)... ..                      | 1      |                      |
| 3          | 54959626       | Bulb holder ... ..                                | 1      | Reference only       |
| 4          | 643            | Bulb (3W. MES) ... ..                             | 1      | Reference only       |
| 5          | D3249          | Speedometer cable ... ..                          | 1      |                      |
| 6          | H4026          | Mounting bracket ... ..                           | 1      | TR6C,<br>T120R, TR6R |
|            |                |   | 2      |                      |
| 7          | D2600          | Rubber cup ... ..                                 | 1      | TR6C,<br>T120R, TR6R |
|            |                |   | 2      |                      |
| Not illus. | D2391          | Washer ... ..                                     | 2 or 4 |                      |
| 8          | E9331          | TACHOMETER GEARBOX (E5758 Body)—L.H. thread       |        | 1                    |
| 9          | E9332          | Securing screw—L.H. thread, U.N. ... ..           | 1      | TR6R,<br>T120R       |
| 10         | Reference only | Bush ... ..                                       | 1      |                      |
| 11         | Reference only | Flanged bush ... ..                               | 1      |                      |
| 12         | E5157          | Driving gear ... ..                               | 1      |                      |
| 13         | E5759          | End cap ... ..                                    | 1      |                      |
| 14         | E6300          | "O" ring ... ..                                   | 1      |                      |
| 15         | E5578          | Driven gear ... ..                                | 1      |                      |
| 16         | E6122          | Driven gear housing ... ..                        | 1      |                      |
| 17         | E6299          | "O" ring ... ..                                   | 1      |                      |
| 18         | Reference only | Bush ... ..                                       | 1      |                      |
| 19         | E3309          | "O" ring ... ..                                   | 1      |                      |
| 20         | E5881          | Set screw ... ..                                  | 1      |                      |
| 21         | D3282          | Tachometer cable ... ..                           | 1      |                      |
| 22         | RSM3003/13     | Tachometer (D2396) ... ..                         | 1      |                      |
| 23         | 31-371-398     | Spade (99-0173) ... ..                            | 1      |                      |
| 24         | D494           | Circlip ... ..                                    | 1      |                      |
| 25         | E7351          | Sealing washer ... ..                             | 1      |                      |
| Not illus. | D546           | Blanking plug (replaces tacho bulb holder) ... .. | 1      |                      |

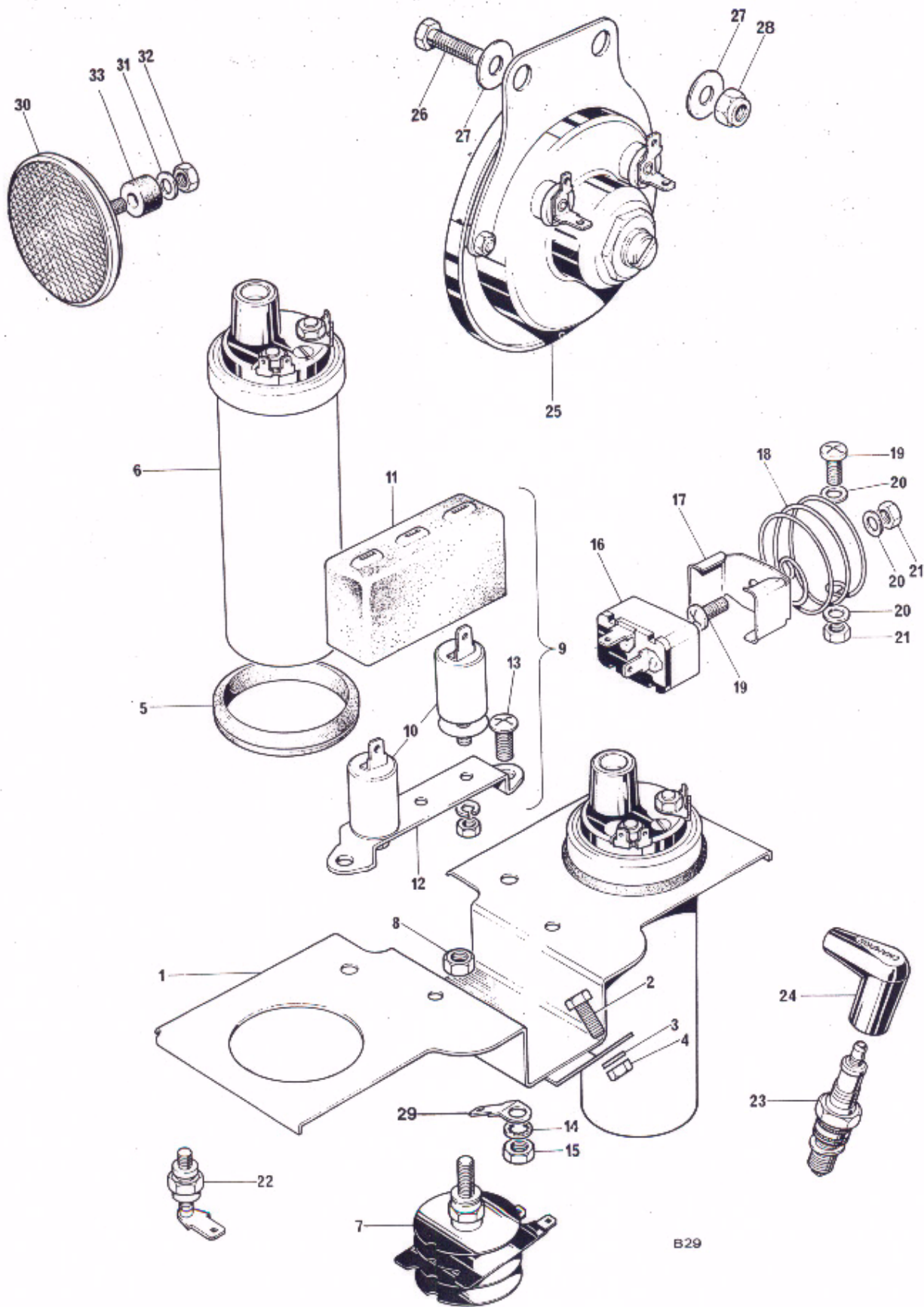
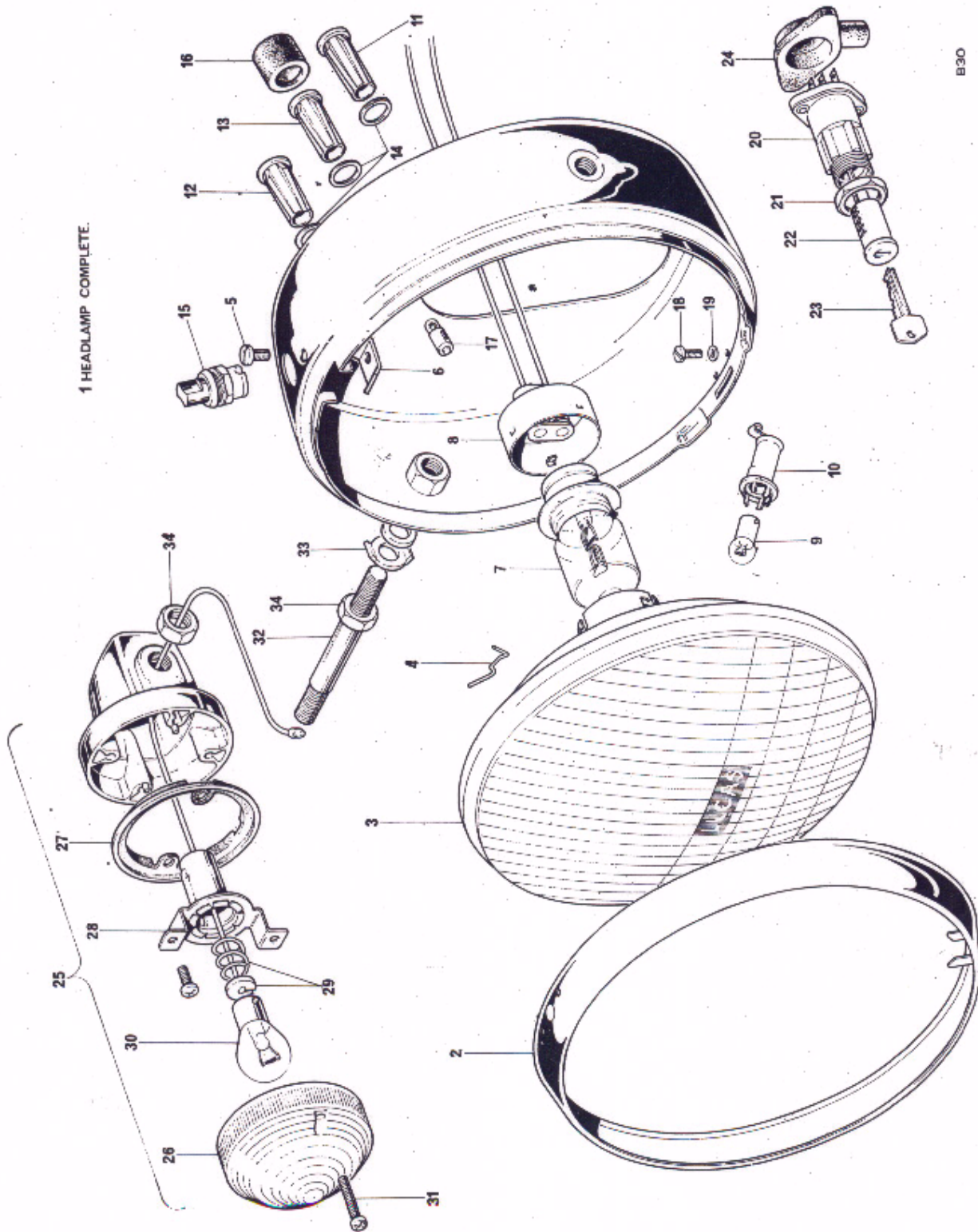


Fig. 30. COIL, CAPACITOR PACK, FLASHER UNIT, ZENER DIODE AND HORD

**COIL, CAPACITOR PACK, FLASHER UNIT, ZENER DIODE AND HORN**

|    |          |  |   |                              |
|----|----------|--|---|------------------------------|
| 1  | F12571   | Mounting platform—electrical components... | 1 |                              |
| 2  | 14-0101  | Bolt                                       | 1 |                              |
| 3  | D2329    | Washer                                     | 1 | } Platform to mudguard       |
| 4  | 14-1301  | Nut  | 1 |                              |
| 5  | F9561    | Grommet—coil mounting                      | 2 |                              |
| 6  | 45223    | Ignition coil (17-M-12) (D2206)            | 2 |                              |
| 7  | 49072    | Rectifier (99-0589)                        | 1 |                              |
| 8  | F5338    | Nut  | 1 |                              |
| 9  | 47638    | CAPACITOR PACK—2CP                         |   | Reference only               |
| 10 | 54420128 | Capacitor (99-1043)                        | 2 |                              |
| 11 | 54418528 | Cover (99-0767)                            | 1 |                              |
| 12 | 54418526 | Base plate (99-1160)                       | 1 |                              |
| 13 | F10033   | Bolt                                       | 2 | } Capacitor pack to platform |
| 14 | GS299    | Shakeproof washer                          | 2 |                              |
| 15 | F3799    | Nut  | 2 |                              |
| 16 | 35048    | Flasher unit (99-1201)                     | 1 |                              |
| 17 | 54385091 | Clip, flasher unit (99-1204)               | 1 |                              |
| 18 | D3614    | Spring                                     | 1 | } Flasher unit to platform   |
| 19 | F10033   | Bolt                                       | 2 |                              |
| 20 | E2251    | Washer                                     | 2 |                              |
| 21 | F4717    | Nut  | 2 |                              |
| 22 | 49345    | Zener Diode (99-0590)                      | 1 |                              |
| 23 | N3       | Sparking plug                              |   | Reference only               |
| 24 | D262     | Plug cover (Champion WC200)                | 1 |                              |
| 25 | 70216    | Horn—6H (99-1216)                          | 1 |                              |
| 26 | 14-0102  | Bolt                                       | 2 | } Horn to frame              |
| 27 | D2393    | Washer                                     | 4 |                              |
| 28 | 14-1301  | Nut  | 2 |                              |
| 29 | 54190038 | Lucar black terminal                       |   | Reference only               |
| 30 | 57183    | Reflector-amber (99-1161)                  | 2 |                              |
| 31 | D2391    | Washer                                     | 2 | } Reflector mounting         |
| 32 | F4717    | Nut  | 2 |                              |
| 33 | F13522   | Mounting rubber                            | 2 |                              |



B30

Fig. 31. HEADLAMP AND FLASHER LAMPS

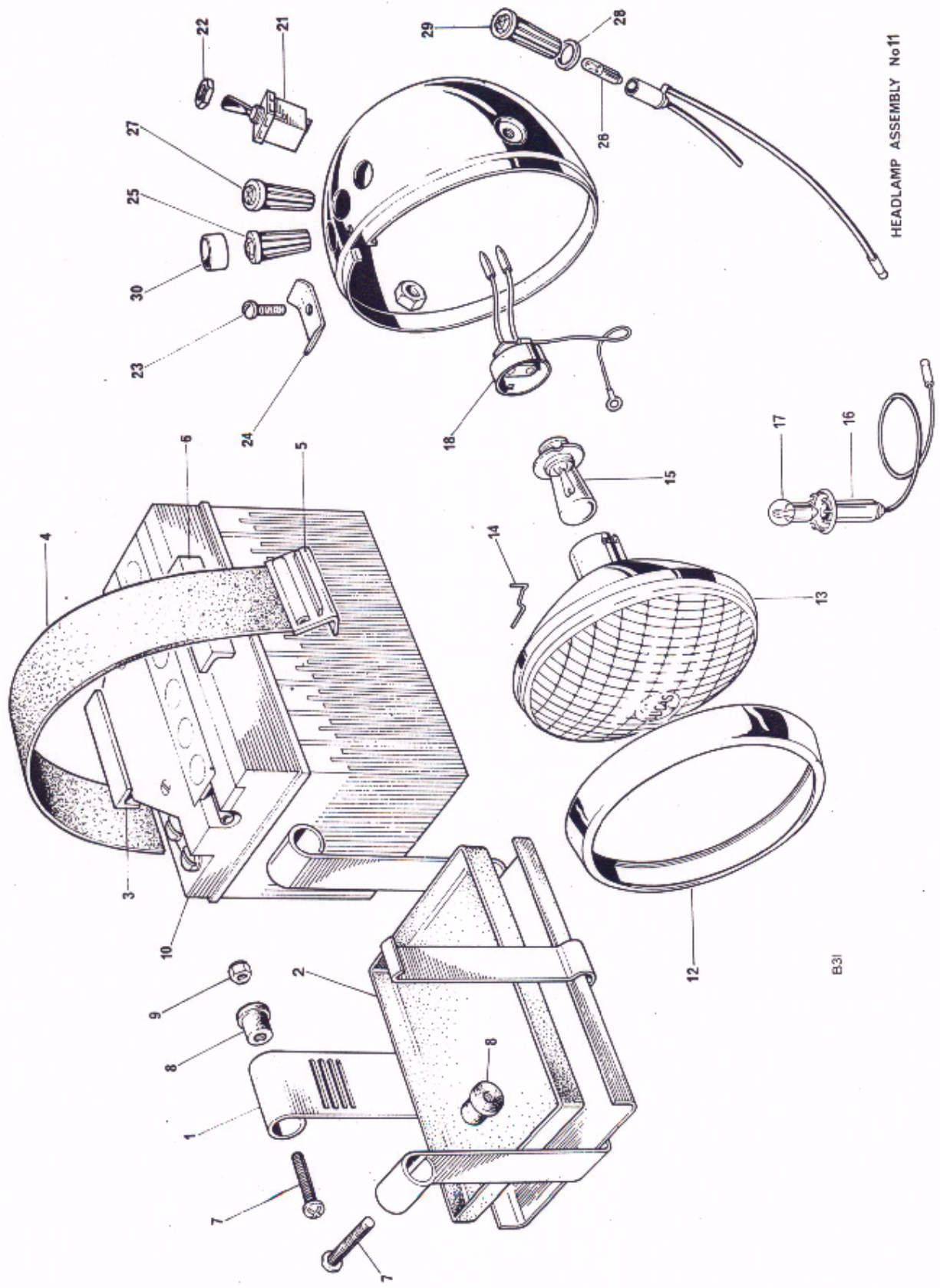


### HEADLAMP AND FLASHER LAMPS

|            |          |   |   |                |
|------------|----------|---|---|----------------|
| 1          | 60260    | HEADLAMP COMPLETE MCH 69 (99-1221)      | 1 | TR6R, T120R    |
| 2          | 553248   | Rim (99-0692)                           | 1 |                |
| 3          | 54525272 | Light unit (99-1212)                    | 1 |                |
| 4          | 504665   | Fixing wire (99-0683)                   | 6 |                |
| 5          | 144921   | Screw                                   |   | Reference only |
| 6          | 534296   | Plate                                   |   | Reference only |
| 7          | 370      | Main bulb (45/35W) (99-1214)            | 1 |                |
| 8          | 554602   | Bulbholder                              |   | Reference only |
| 9          | 989      | Pilot bulb (99-0548)                    | 1 |                |
| 10         | 54573590 | Pilot bulbholder (99-1213)              | 1 |                |
| 11         | 54363454 | Warning light (Red) (99-1208)           | 1 |                |
| 12         | 54363455 | Warning light (Green) (99-1209)         | 1 |                |
| 13         | 54363453 | Warning light (Amber) (99-1207)         | 1 |                |
| 14         | 54140331 | Sealing washer (99-1210)                | 3 |                |
| 15         | 31276    | Light switch (99-1211)                  | 1 |                |
| 16         | 54525212 | Shield, warning light                   |   | Reference only |
| 17         | 281      | Bulb, warning light (99-0537)           | 3 |                |
| 18         | 54115106 | Screw, headlamp fixing (99-1223)        | 2 |                |
| 19         | 143086   | Washer, headlamp fixing (99-1224)       | 2 |                |
| Not illus. | 54959629 | Wiring harness (99-1222)                | 1 |                |
| 20         | 39565    | IGNITION SWITCH (TYPE 149 SA) (99-1200) | 1 |                |
| 21         | 54130041 | Nut                                     |   | Reference only |
| 22         | F6981    | IGNITION LOCK C/W KEY                   | 1 |                |
| 23         | D622     | Key (state serial number)               |   | As required    |
| 24         | H2262    | Cover, ignition switch                  | 1 |                |
| 25         | 56147    | FLASHER LAMP (99-1190)                  | 4 |                |
| 26         | 54581638 | Lens (99-1191)                          | 1 |                |
| 27         | 54580300 | Gasket                                  |   | Reference only |
| 28         | 554548   | Bulbholder                              |   | Reference only |
| 29         | 473832   | Interior assembly                       |   | Reference only |
| 30         | 382      | Bulb (99-1192)                          | 1 |                |
| 31         | 54123401 | Screw (99-1193)                         | 2 |                |
| 32         | 54582414 | Stanchion, flasher lamp—(99-1194)       | 4 |                |
| 33         | 143086   | Washer (99-1196)                        | 2 |                |
| 34         | 1981721  | Locknut (99-1195)                       | 8 |                |

LATER MODELS USE THE FOLLOWING:—

|         |                          |   |
|---------|--------------------------|---|
| H4247   | Flasher mounting bracket | 1 |
| H4248   | Front stanchion          | 2 |
| F13525  | Rear stanchion           | 2 |
| 14-0404 | Nut (inside headlamp)    | 2 |



HEADLAMP ASSEMBLY No.11

Fig. 32. BATTERY AND TR6C HEADLAMP

B31

**BATTERY AND TR6C HEADLAMP**

|            |             |   |    |                            |
|------------|-------------|---|----|----------------------------|
| 1          | F12512      | Battery carrier                               | 1  |                            |
| 2          | F8091       | Carrier tray                                  | 1  |                            |
| 3          | F8255       | Protective strip                              | 2  |                            |
| 4          | F9353       | Retaining strap                               | 1  |                            |
| 5          | F13849      | Buckle  | 1  |                            |
| 6          | F13295      | Protective strip                              | 11 |                            |
| 7          | F12508      | Shoulder screw                                | 3  |                            |
| 8          | F6039       | Rubber bush                                   | 3  | } Battery carrier mounting |
| 9          | 14-1301     | Nut   | 1  |                            |
| 10         | 54027029    | Battery—PUZ5A (99-0719)                       | 1  |                            |
| 11         | 60262       | HEADLAMP ASSEMBLY MCH 66 (99-1205)            | 1  |                            |
| 12         | 534343      | Rim (99-0691)                                 | 1  |                            |
| 13         | 54525272    | Light unit (99-041)                           | 1  |                            |
| 14         | 504665      | Fixing wire (99-0683)                         | 6  |                            |
| 15         | 370         | Bulb (45/35W vertical dip, pre-focus 99-1214) | 1  |                            |
| 16         | 54573590    | Bulbholder, pilot (99-0695)                   | 1  |                            |
| 17         | 989         | Bulb (3W.M.C.C. 99-0548)                      | 1  |                            |
| 18         | 554602      | Adaptor c/w leads (99-1003)                   | 2  |                            |
| Not illus. | 54115106    | Screw, lamp fixing (99-1157)                  | 2  |                            |
| Not illus. | 143086      | Washer (99-1224)...                           | 2  |                            |
| 19         | 31272 31288 | Lighting switch (99-0563)                     | 1  |                            |
| 20         | 153631      | Nut for lighting switch                       |    | Reference only             |
| 21         | 144921      | Screw   |    | Reference only             |
| 22         | 534296      | Plate (99-0690)                               | 1  |                            |
| 23         | 54363454    | Warning light, red (99-1208)                  | 1  |                            |
| 24         | 281         | Bulb (2W.BA75) (99-0537)                      | 2  |                            |
| 25         | 54363455    | Warning light, green (99-1209)                | 1  |                            |
| 26         | 54140331    | Sealing washer (99-1210)                      | 3  |                            |
| 27         | 54363453    | Warning light amber (99-1207)                 | 1  |                            |
| 28         | 54525212    | Warning light shield                          |    | Reference only             |

## STANDARD HARDWARE SPECIFICATION BOLTS

| Part No. | Material | Thd. dia.            | Length under head | Min. length of thread | Hexagon A.F. |
|----------|----------|----------------------|-------------------|-----------------------|--------------|
| S1822    | Steel    | $\frac{5}{16}$ " UNF | $\frac{1}{2}$ "   | $\frac{27}{64}$ "     | 0.500"       |
| S1910    | "        | $\frac{3}{8}$ " UNF  | $\frac{13}{16}$ " | $\frac{13}{16}$ "     | 0.565"       |
| S1919    | "        | $\frac{5}{16}$ " UNC | $1\frac{5}{8}$ "  | $\frac{7}{8}$ "       | 0.500"       |
| S2010    | "        | $\frac{1}{4}$ " UNF  | $\frac{13}{16}$ " | $\frac{3}{8}$ "       | 0.375"       |
| 14-0101  | "        | $\frac{1}{4}$ " UNF  | $\frac{1}{2}$ "   |                       | 0.438"       |
| 14-0102  | "        | $\frac{1}{4}$ " UNF  | $\frac{5}{8}$ "   |                       | 0.438"       |
| 14-0103  | "        | $\frac{1}{4}$ " UNF  | $\frac{3}{4}$ "   |                       | 0.438"       |
| 14-0113  | "        | $\frac{5}{16}$ " UNF | $\frac{5}{8}$ "   |                       | 0.500"       |
| 14-0114  | "        | $\frac{5}{16}$ " UNF | $\frac{3}{4}$ "   |                       | 0.500"       |
| 14-0115  | "        | $\frac{5}{16}$ " UNF | $\frac{7}{8}$ "   |                       | 0.500"       |
| 14-0128  | "        | $\frac{3}{8}$ " UNF  | 1"                |                       | 0.563"       |
| 14-0208  | "        | $\frac{1}{4}$ " UNF  | $2\frac{1}{4}$ "  | $\frac{3}{4}$ "       | 0.438"       |
| 14-0216  | "        | $\frac{5}{16}$ " UNF | $1\frac{1}{8}$ "  | $\frac{7}{8}$ "       | 0.500"       |
| 14-0217  | "        | $\frac{5}{16}$ " UNF | $1\frac{1}{4}$ "  | $\frac{7}{8}$ "       | 0.500"       |
| 14-0219  | "        | $\frac{5}{16}$ " UNF | $1\frac{1}{2}$ "  | $\frac{7}{8}$ "       | 0.500"       |
| 14-0220  | "        | $\frac{5}{16}$ " UNF | $1\frac{3}{4}$ "  | $\frac{7}{8}$ "       | 0.500"       |
| 14-0225  | "        | $\frac{5}{16}$ " UNF | 3"                | $\frac{7}{8}$ "       | 0.500"       |
| 14-0228  | "        | $\frac{5}{16}$ " UNF | 4"                | $\frac{7}{8}$ "       | 0.500"       |
| 14-0234  | "        | $\frac{3}{8}$ " UNF  | $1\frac{3}{4}$ "  | 1"                    | 0.563"       |
| 14-0236  | "        | $\frac{3}{8}$ " UNF  | $2\frac{1}{4}$ "  | 1"                    | 0.563"       |
| 14-0239  | "        | $\frac{3}{8}$ " UNF  | 3"                | 1"                    | 0.563"       |
| 14-0240  | "        | $\frac{3}{8}$ " UNF  | $3\frac{1}{4}$ "  | 1"                    | 0.563"       |
| 14-0242  | "        | $\frac{3}{8}$ " UNF  | 4"                | 1"                    | 0.563"       |
| 14-0251  | "        | $\frac{7}{16}$ " UNF | $2\frac{3}{4}$ "  | $1\frac{1}{4}$ "      | 0.625"       |
| 14-6102  | "        | $\frac{1}{4}$ " UNC  | $\frac{5}{8}$ "   |                       | 0.438"       |
| 14-6115  | "        | $\frac{5}{16}$ " UNC | $\frac{7}{8}$ "   |                       | 0.500"       |

## NUTS

| Part No. | Material | Thd. dia.            | Hexagon A.F. | Thickness | Remarks  |
|----------|----------|----------------------|--------------|-----------|----------|
| S778     | Steel    | No. 10 UNF           | 0.375"       | 0.225"    | Cleveloc |
| S1852    | "        | $\frac{5}{16}$ " UNF | 0.437"       | 0.330"    | Philidas |
| S1906    | "        | $\frac{1}{4}$ " UNF  | 0.438"       | 0.188"    | Plain    |
| S1908    | "        | $\frac{5}{16}$ " UNF | 0.438"       | 0.313"    | Plain    |
| S1914    | "        | $\frac{3}{8}$ " UNF  | 1.125"       | 0.250"    | Plain    |
| S2012    | "        | $\frac{7}{8}$ " UNF  | 1.313"       | 0.438"    | Plain    |
| S2013    | "        | $\frac{3}{4}$ " UNF  | 1.313"       | 0.313"    | Plain    |
| S2014    | "        | $\frac{3}{4}$ " UNF  | 1.313"       | 0.438"    | Plain    |
| 14-0301  | "        | $\frac{1}{4}$ " UNF  | 0.438"       | 0.224"    | Plain    |
| 14-0302  | "        | $\frac{5}{16}$ " UNF | 0.500"       | 0.271"    | Plain    |
| 14-0401  | "        | $\frac{1}{4}$ " UNF  | 0.438"       | 0.161"    | Lock     |
| 14-0402  | "        | $\frac{5}{16}$ " UNF | 0.500"       | 0.192"    | Lock     |
| 14-0403  | "        | $\frac{3}{8}$ " UNF  | 0.563"       | 0.224"    | Lock     |
| 14-0701  | "        | $\frac{1}{4}$ " UNF  | 0.438"       | 0.203"    | Philidas |
| 14-0702  | "        | $\frac{5}{16}$ " UNF | 0.500"       | 0.246"    | Philidas |
| 14-0703  | "        | $\frac{3}{8}$ " UNF  | 0.563"       | 0.296"    | Philidas |
| 14-1201  | "        | $\frac{1}{4}$ " UNF  | 0.438"       | 0.285"    | Stiffnut |
| 14-1202  | "        | $\frac{5}{16}$ " UNF | 0.500"       | 0.335"    | Stiffnut |
| 14-1301  | "        | $\frac{1}{4}$ " UNF  | 0.438"       | 0.245"    | Stiffnut |
| 14-1302  | "        | $\frac{5}{16}$ " UNF | 0.500"       | 0.290"    | Stiffnut |
| 14-1303  | "        | $\frac{3}{8}$ " UNF  | 0.563"       | 0.320"    | Stiffnut |
| 14-1304  | "        | $\frac{7}{8}$ " UNF  | 0.688"       | 0.375"    | Stiffnut |
| 14-1305  | "        | $\frac{1}{2}$ " UNF  | 0.750"       | 0.435"    | Stiffnut |
| 14-1902  | "        | $\frac{5}{16}$ " UNF | 0.500"       | 0.361"    | Nyloc    |
| 14-1903  | "        | $\frac{3}{8}$ " UNF  | 0.563"       | 0.375"    | Nyloc    |

### SCREWS

| Part No. | Type of head      | Material | Thd. dia.            | Length under head  | Type of drive |
|----------|-------------------|----------|----------------------|--------------------|---------------|
| S1916    | Cheese head       | Steel    | $\frac{1}{4}$ " UNC  | $1\frac{1}{8}$ "   | Cross recess  |
| S1917    | Cheese head       | "        | $\frac{1}{4}$ " UNC  | $2\frac{3}{8}$ "   | Cross recess  |
| S1918    | Cheese head       | "        | $\frac{1}{4}$ " UNC  | $2\frac{3}{8}$ "   | Cross recess  |
| S1920    | Hex. head         | "        | $\frac{1}{4}$ " UNC  | $2\frac{1}{4}$ "   |               |
| S1929    | Countersunk (82°) | "        | $\frac{1}{4}$ " UNC  | $1\frac{17}{32}$ " | Slot          |
| S2079    | Cheese head       | "        | No. 10 UNF           | $\frac{1}{2}$ "    | Pozidrive     |
| 14-0604  | Cheese head       | "        | $\frac{1}{4}$ " UNF  | $\frac{1}{2}$ "    | Cross recess  |
| 14-6505  | Countersunk (82°) | "        | $\frac{1}{4}$ " UNC  | $\frac{7}{8}$ "    | Cross recess  |
| 14-6607  | Cheese head       | "        | $\frac{1}{4}$ " UNC  | $\frac{7}{8}$ "    | Cross recess  |
| 14-6608  | Cheese head       | "        | $\frac{1}{4}$ " UNC  | 1"                 | Cross recess  |
| 14-6609  | Cheese head       | "        | $\frac{1}{4}$ " UNC  | $1\frac{1}{4}$ "   | Cross recess  |
| 14-7019  | Socket head       | "        | $\frac{5}{16}$ " UNC | $\frac{7}{8}$ "    | Hex. socket   |
| 14-7024  | Socket head       | "        | $\frac{5}{16}$ " UNC | 2"                 | Hex. socket   |

### WASHERS—PLAIN

| Part No. | Material | i/dia. | o/dia. | Thickness |
|----------|----------|--------|--------|-----------|
| S25-1    | Steel    | 0.273" | 0.563" | 0.048"    |
| S25-2    | Steel    | 0.398" | 0.750" | 0.063"    |
| S25-3    | Steel    | 0.336" | 0.625" | 0.063"    |
| S25-6    | Steel    | 0.531" | 1.031" | 0.092"    |
| S25-13   | Steel    | 0.266" | 0.469" | 0.064"    |

### WASHERS—SPRING

| Part No. | Material     | i/dia.                     | o/dia.            | o/a height       | Thickness |
|----------|--------------|----------------------------|-------------------|------------------|-----------|
| S26-1    | Spring Steel | $\frac{3}{8}$ " clearance  | $\frac{19}{32}$ " | $\frac{7}{32}$ " | 0.104"    |
| S26-2    | " "          | $\frac{1}{4}$ " clearance  | $\frac{13}{32}$ " | $\frac{1}{16}$ " | 0.064"    |
| S26-16   | " "          | $\frac{17}{32}$ "          | $\frac{7}{8}$ "   | $\frac{7}{32}$ " | 0.040**   |
| S648     | " "          | $\frac{5}{16}$ " clearance | $\frac{1}{2}$ "   | $\frac{5}{32}$ " | 0.080"    |

\*\* Double coil.

**PARTS REQUIRED FOR 5 SPEED GEARBOX—OPTIONAL**

|    |        |                            |   |  |
|----|--------|----------------------------|---|--|
| 1  | E12791 | Crankcase—timing side      | 1 |  |
| 2  | D3500  | Oil seal                   | 1 |  |
| 3  | E3789  | Cover plate                | 1 |  |
| 4  | D3493  | High gear bearing          | 1 |  |
| 5  | D3512  | Oil seal                   | 1 |  |
| 6  | T4360  | Gearbox camplate           | 1 |  |
| 7  | T4364  | Selector fork—M/S 4th gear | 1 |  |
| 8  | T4366  | Selector fork—L/S 3rd gear | 1 |  |
| 9  | T4368  | Selector fork—L/S 1st gear | 1 |  |
| 10 | T4372  | M/S High gear              | 1 |  |
| 11 | D3511  | Needle roller bearing      | 2 |  |
| 12 | D3500  | Oil seal                   | 1 |  |
| 13 | T4432  | Main shaft                 | 1 |  |
| 14 | T4376  | M/S 4th gear               | 1 |  |
| 15 | T4377  | M/S 3rd gear               | 1 |  |
| 16 | T4380  | M/S 1st and 2nd gear       | 1 |  |
| 17 | T4371  | Layshaft                   | 1 |  |
| 18 | T4384  | L/S 4th gear               | 1 |  |
| 19 | D3494  | Circlip                    | 1 |  |
| 20 | T4383  | L/S high gear              | 1 |  |
| 21 | T4387  | L/S 3rd gear               | 1 |  |
| 22 | T4388  | L/S 2nd gear               | 1 |  |
| 23 | T4391  | L/S 1st gear               | 1 |  |
| 24 | D3494  | Circlip                    | 1 |  |
| 25 | T4381  | Driving dog                | 1 |  |
| 26 | T4407  | Gearbox inner cover        | 1 |  |
| 27 | T4402  | Leaf spring                | 1 |  |
| 28 | T4363  | Quadrant                   | 1 |  |
| 29 | T4374  | Plunger quadrant           | 1 |  |
| 30 | T4403  | Plunger                    | 2 |  |
| 31 | T4397  | Gearbox sprocket—19T       | 1 |  |
| 32 | T4398  | Gearbox sprocket—18T       | 1 |  |
| 33 | T4396  | Locknut                    | 1 |  |
| 34 | T4395  | Locking washer             | 1 |  |